

Booklet available in English on
Heft in deutscher Sprache erhältlich auf
Livret disponible en français sur
Libretto disponibile in italiano su
Folleto disponible en español en
如需中文版手册, 请访问

LEGO.com/service/buildinginstructions



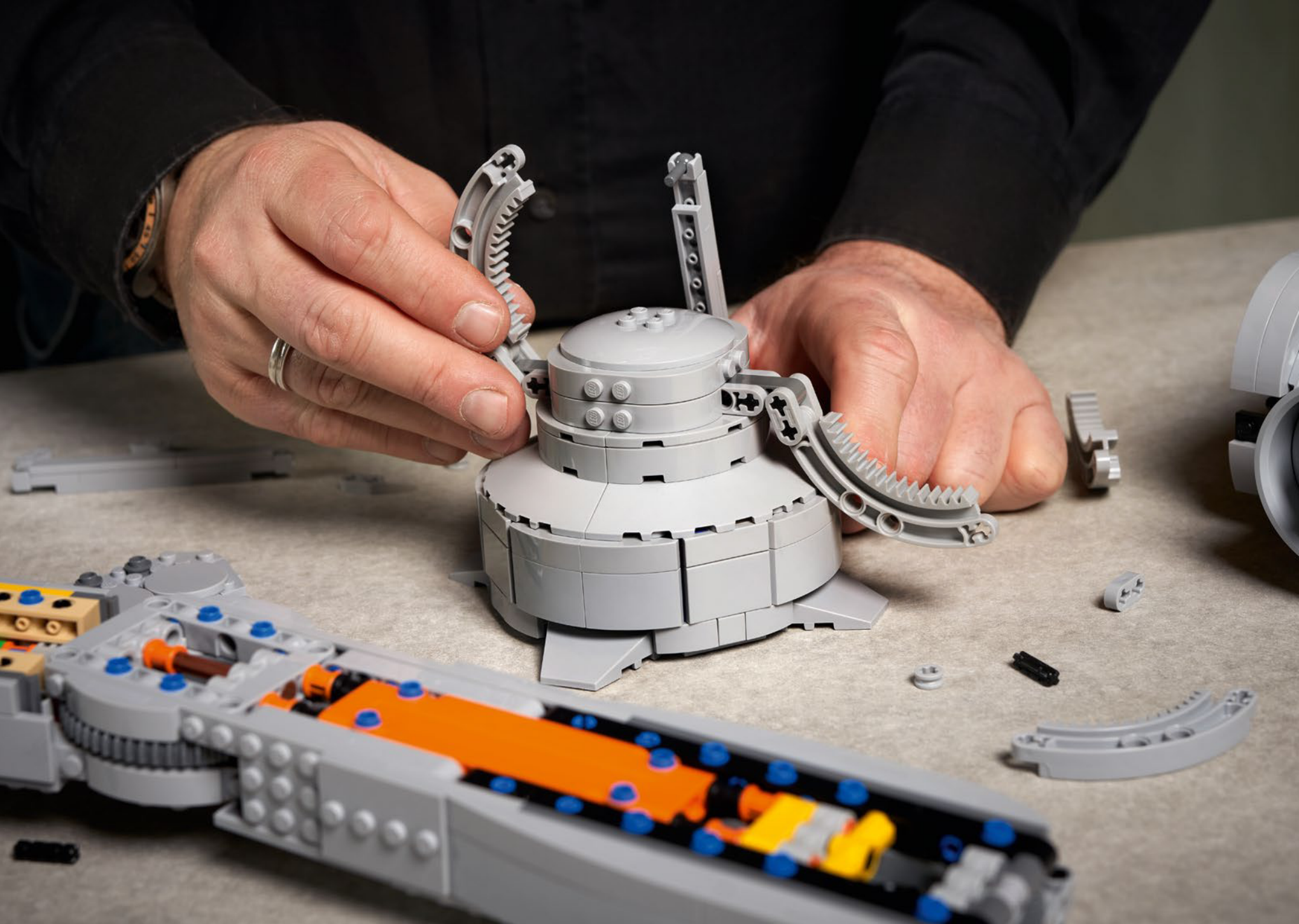
“GO FOR THE LEGS”

- Luke Skywalker

When the walkers’ armour proves too strong for blasters, Luke Skywalker commands his Rogue Group T-47 snowspeeder pilots to use their tow cables and harpoons, “go for the legs” and bring the battle beasts to their knees.

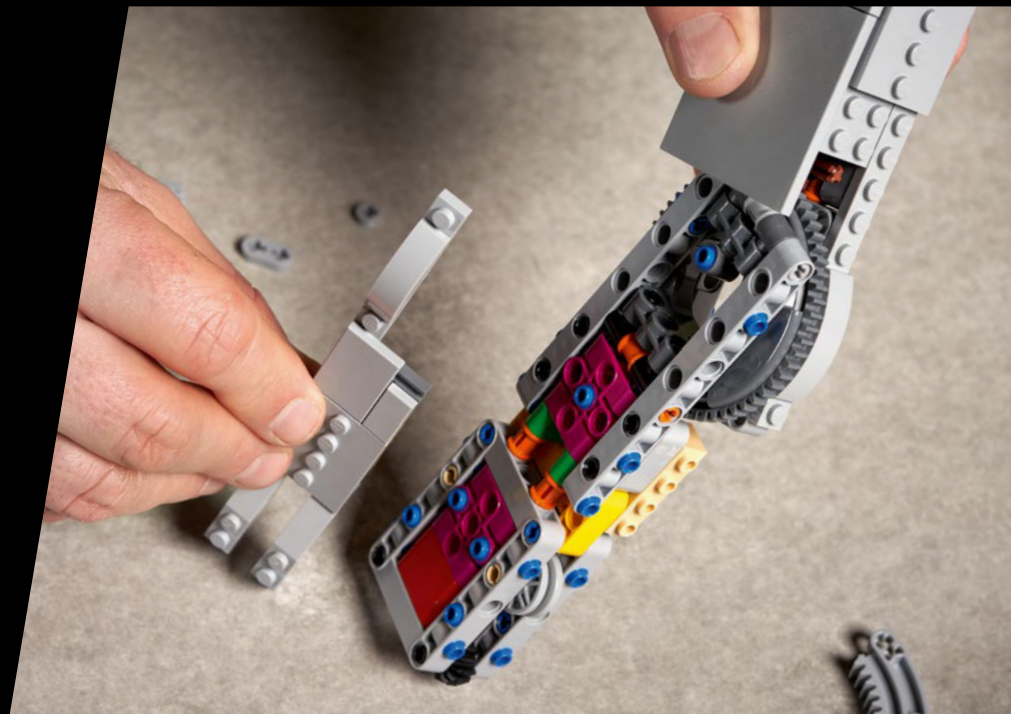
WEIGHING DESIGN OPTIONS

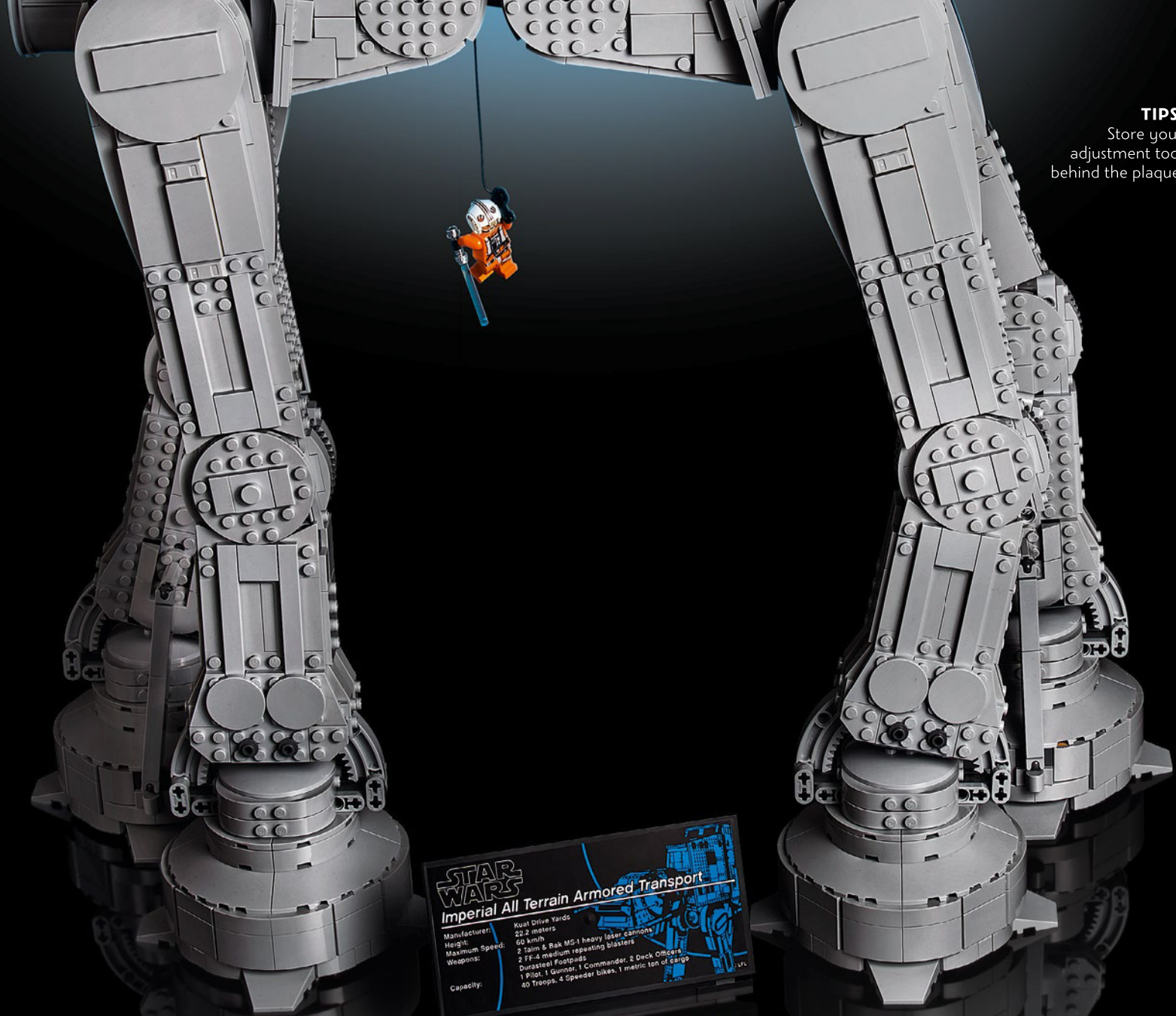
How do you construct a sturdy LEGO® version of the AT-AT in this size, with movable functions to recreate the dramatic scenes from the movie? The biggest challenge was making the legs posable and strong enough to support the weight of the body and head in every position. The design team explored numerous options and techniques and consulted with LEGO Technic Design Master Markus Kossmann to develop creative building solutions. The newly developed arc elements in the feet serve both as design details and stabilisers. They help distribute the weight of the model evenly among a total of eight wheels placed on top of the arc elements, two in each foot. The combination of these new building techniques in the legs and feet met the design and function requirements, and extensive testing confirmed that this construction would make a solid foundation for the model.



NEW BUILDING TECHNIQUES

Incorporating LEGO® Technic turntables and worm gears in the leg joints showed promising results in the early versions of the model's development. When you spin the worm gears with the adjustment tool, the joint is instantly locked, securing the model in its place. New 'flip-flop beams' in both the upper and lower parts of the legs added extra strength to the model. LEGO System plates cover the beams to complete the exterior look and conceal the inner mechanics.

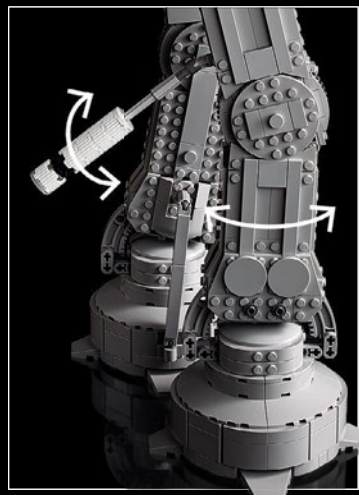
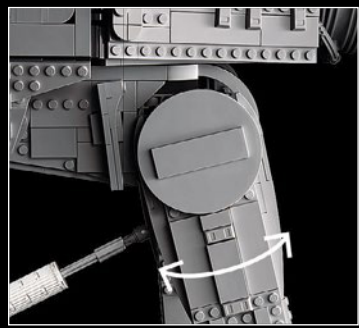




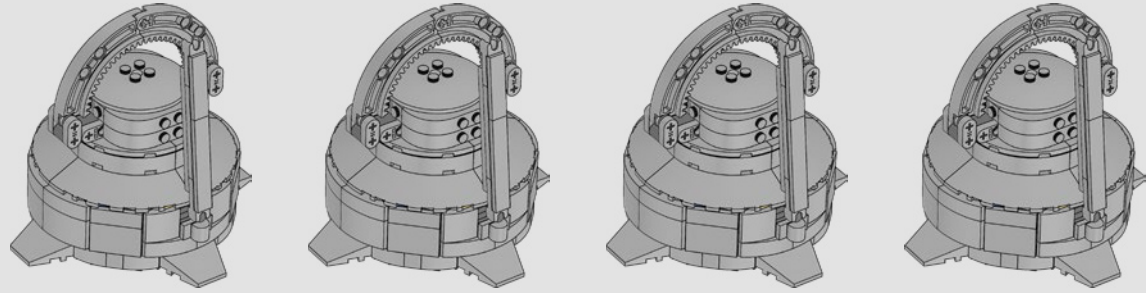
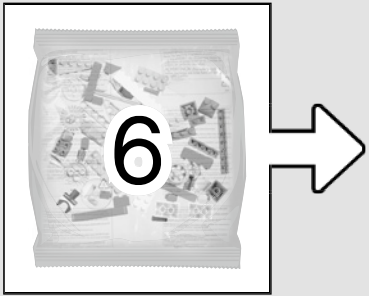
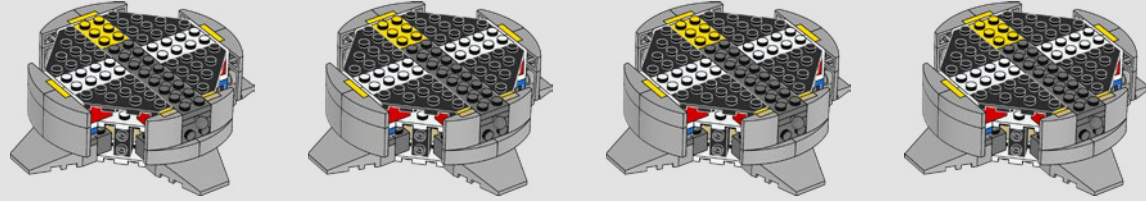
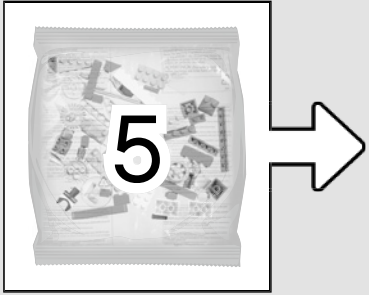
STAR WARS
Imperial All Terrain Armored Transport

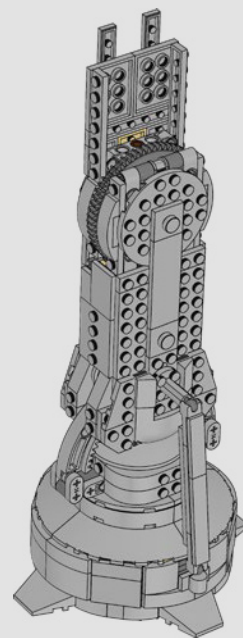
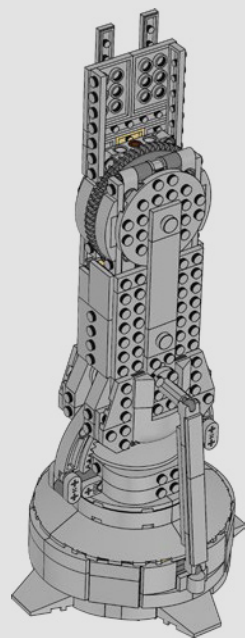
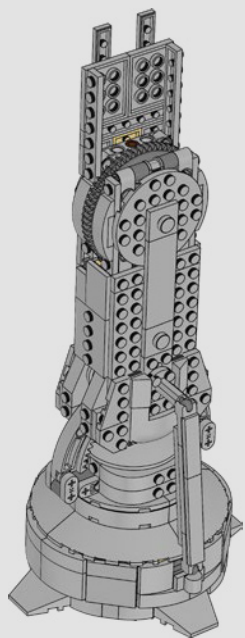
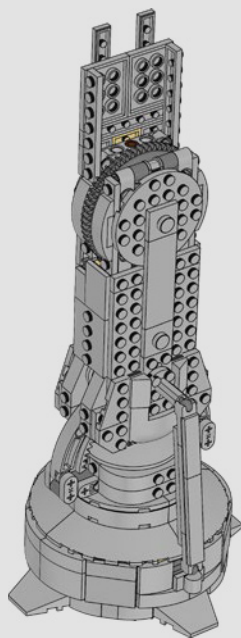
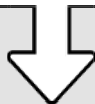
Manufacturer:	Kuat Drive Yards
Height:	22.2 meters
Maximum Speed:	60 km/h
Weapons:	2 Taim & Bak MG-1 heavy laser cannons 2 FF-4 medium repeating blasters DuraSteel Footpads
Capacity:	1 Pilot, 1 Gunner, 1 Commander, 2 Deck Officers 40 Troops, 4 Speeder bikes, 1 metric ton of cargo

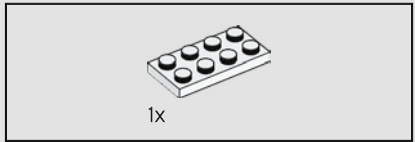
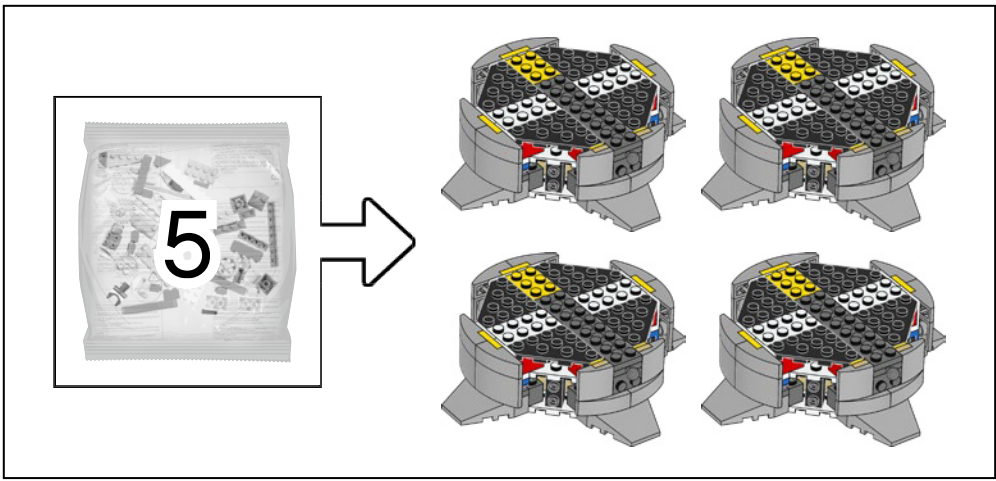
TIPS:
Store your
adjustment tool
behind the plaque.



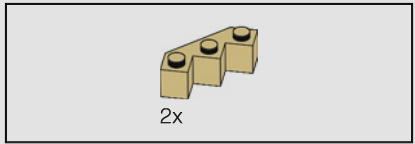
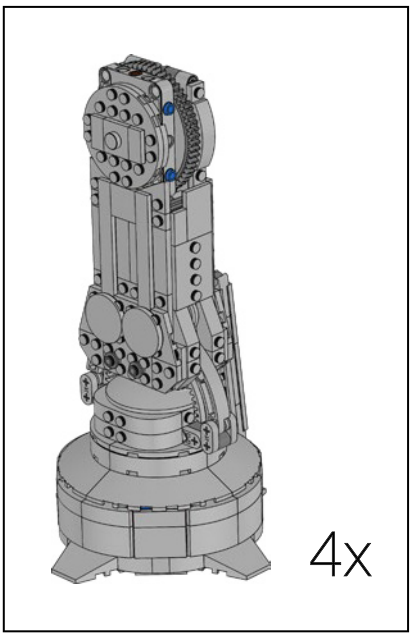
Follow the Building Instructions
to find a sturdy point of gravity
for your model.



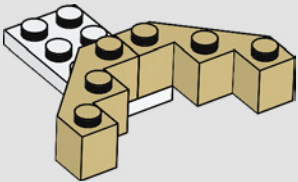


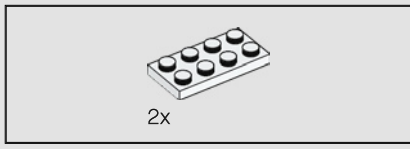


223

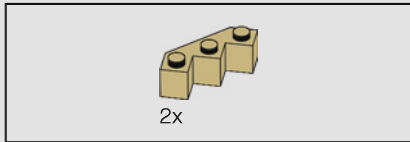
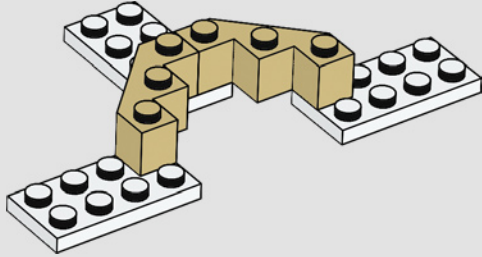


224

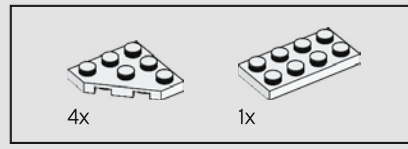
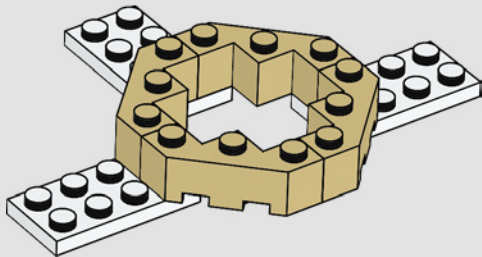




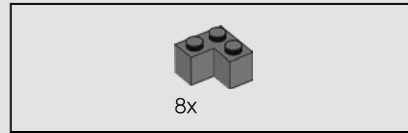
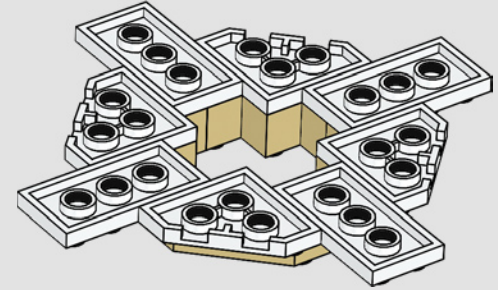
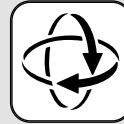
225



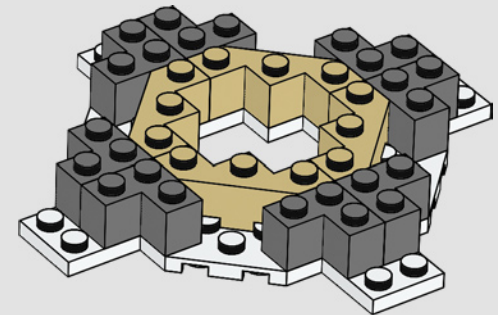
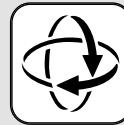
226

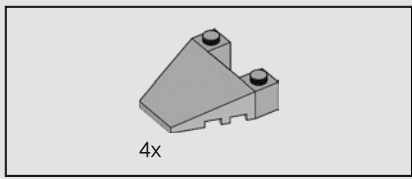


227

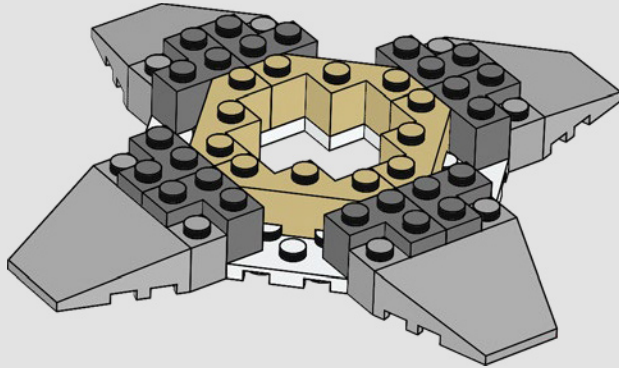


228

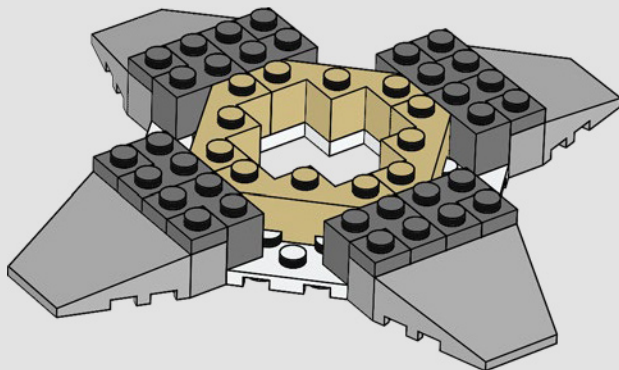




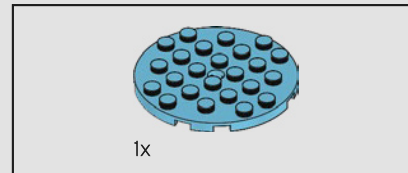
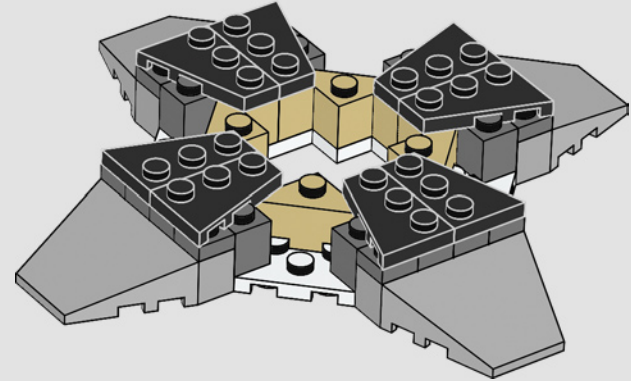
229



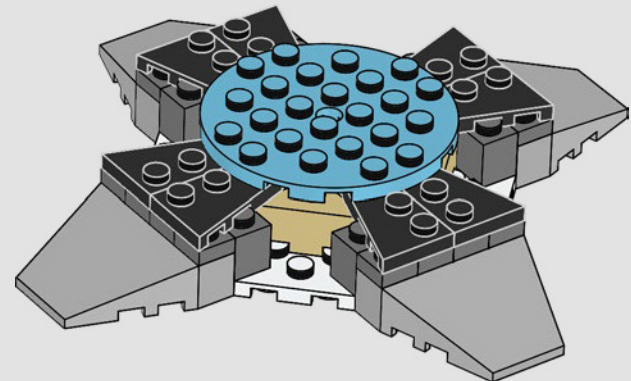
230

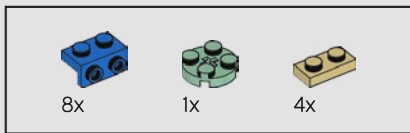


231

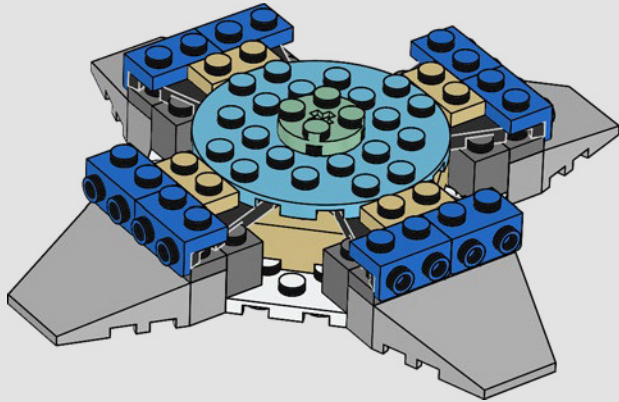


232

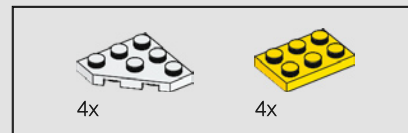
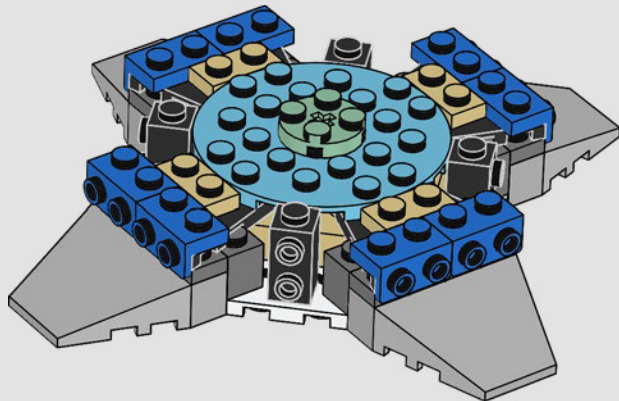




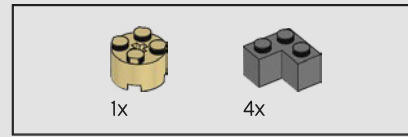
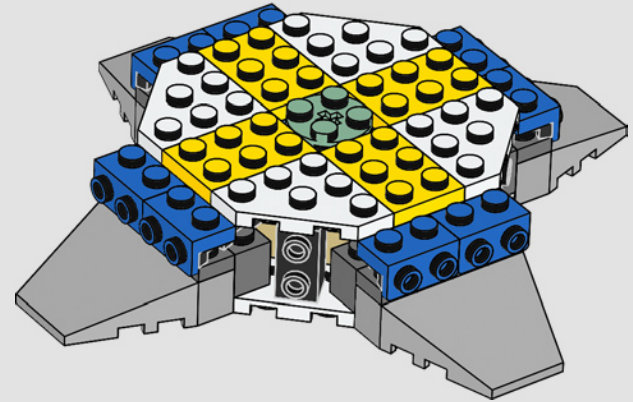
233



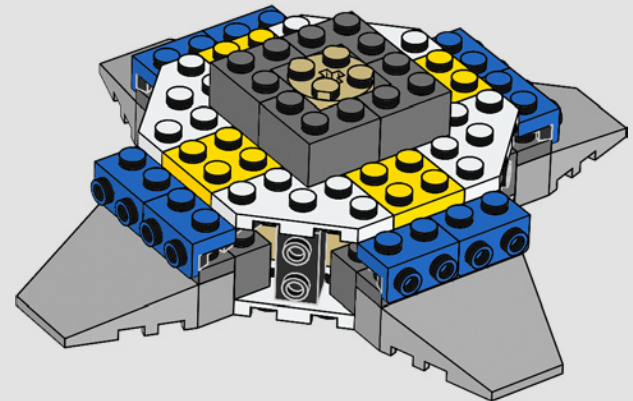
234



235

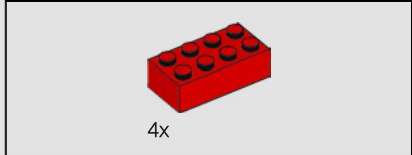
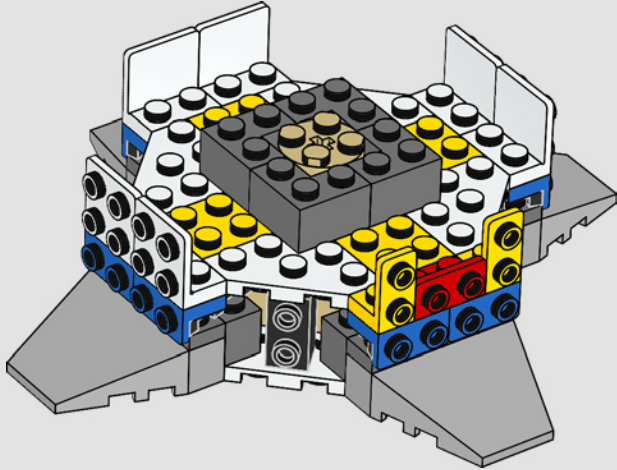


236

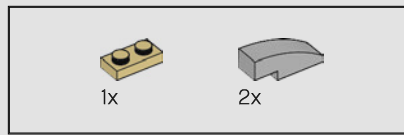
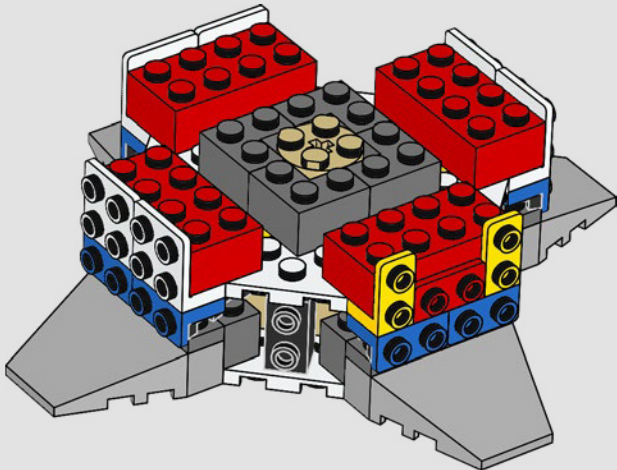




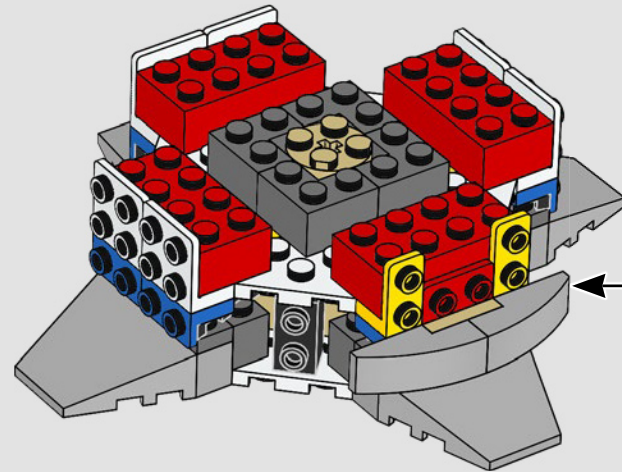
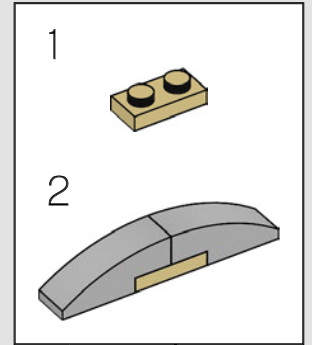
237

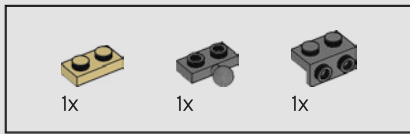


238

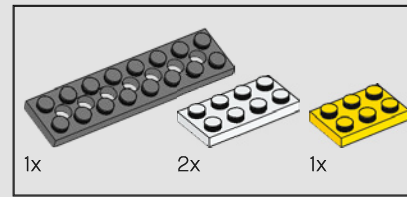
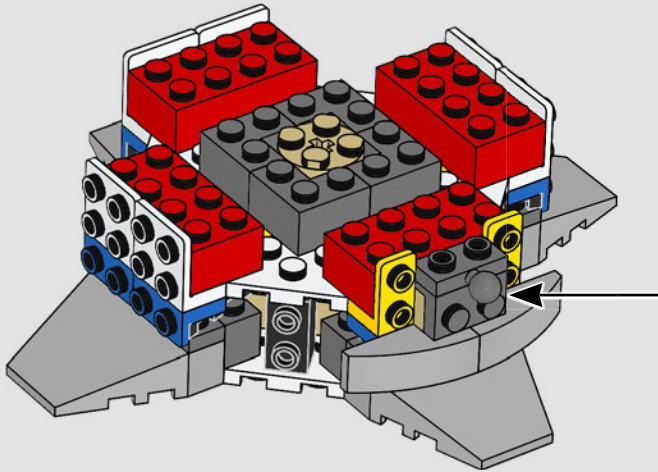
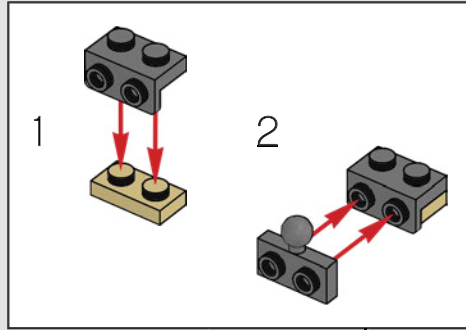


239

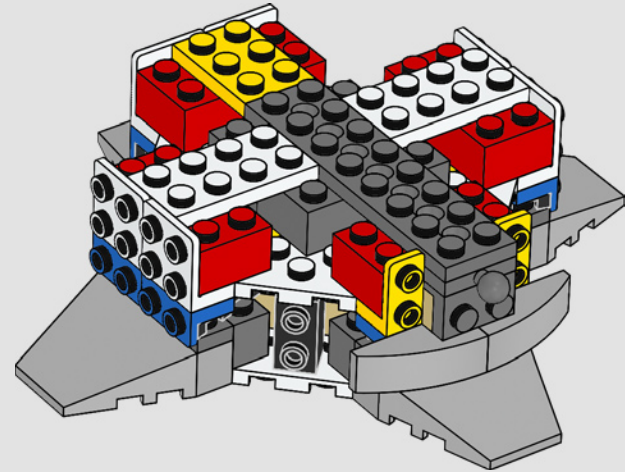


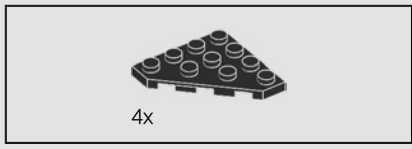


240

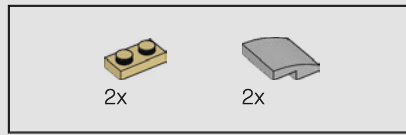
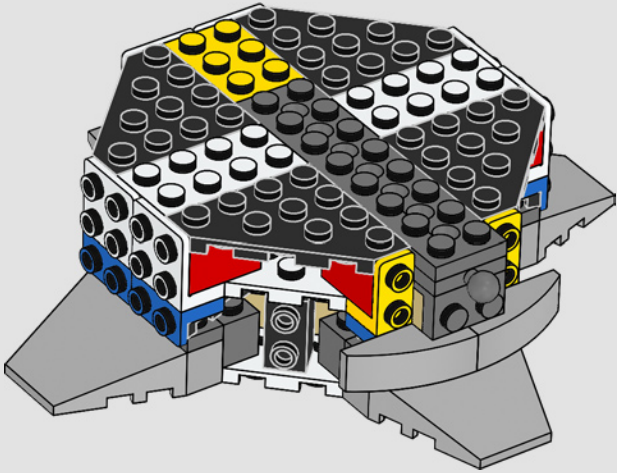


241

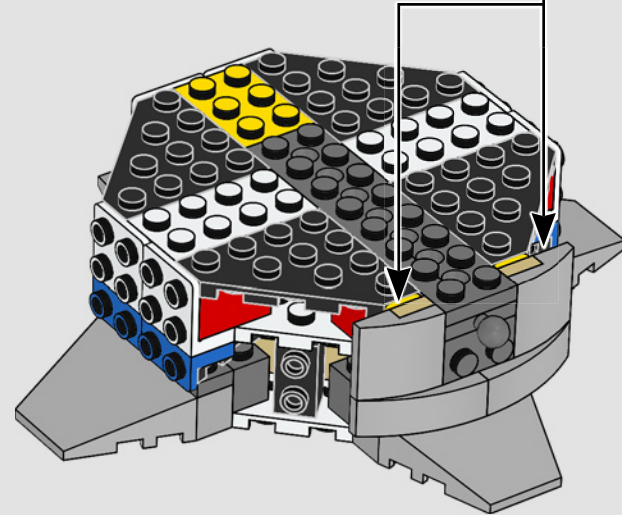
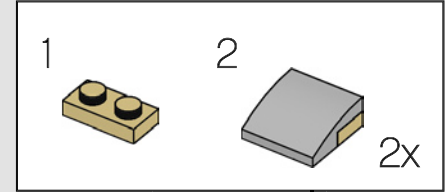


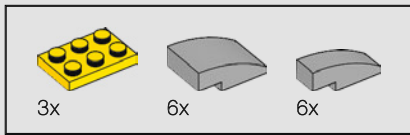


242

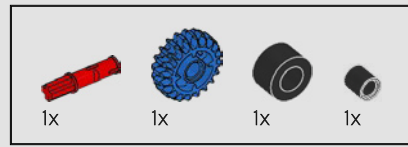
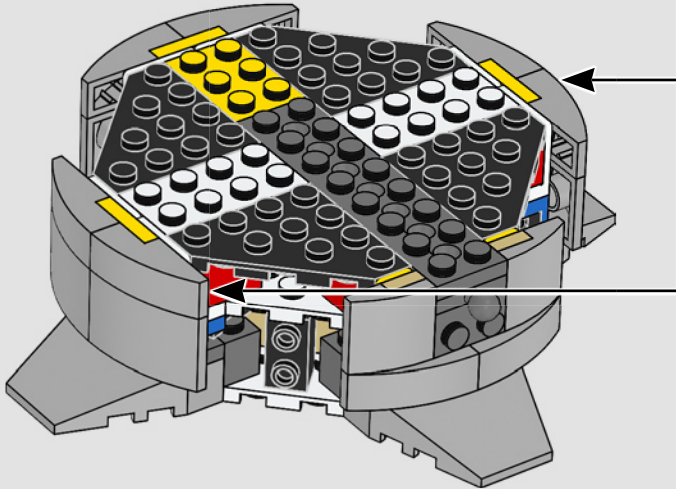
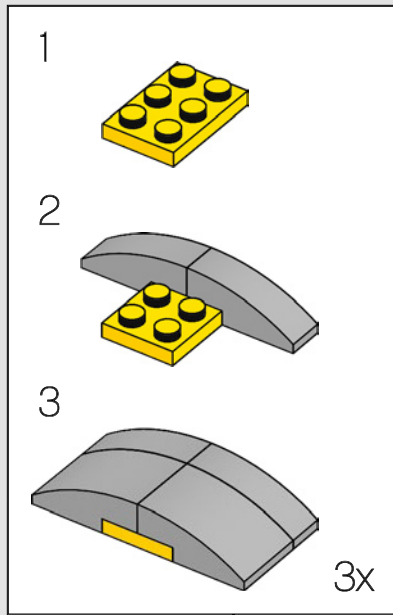


243

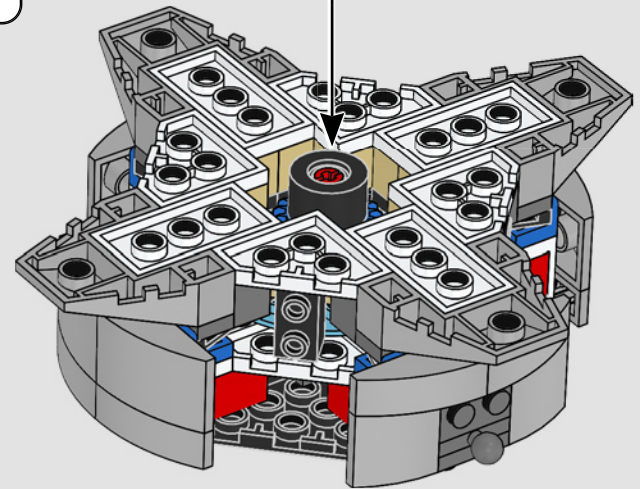
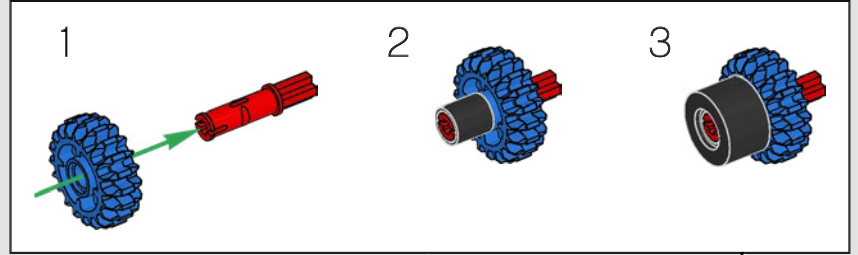


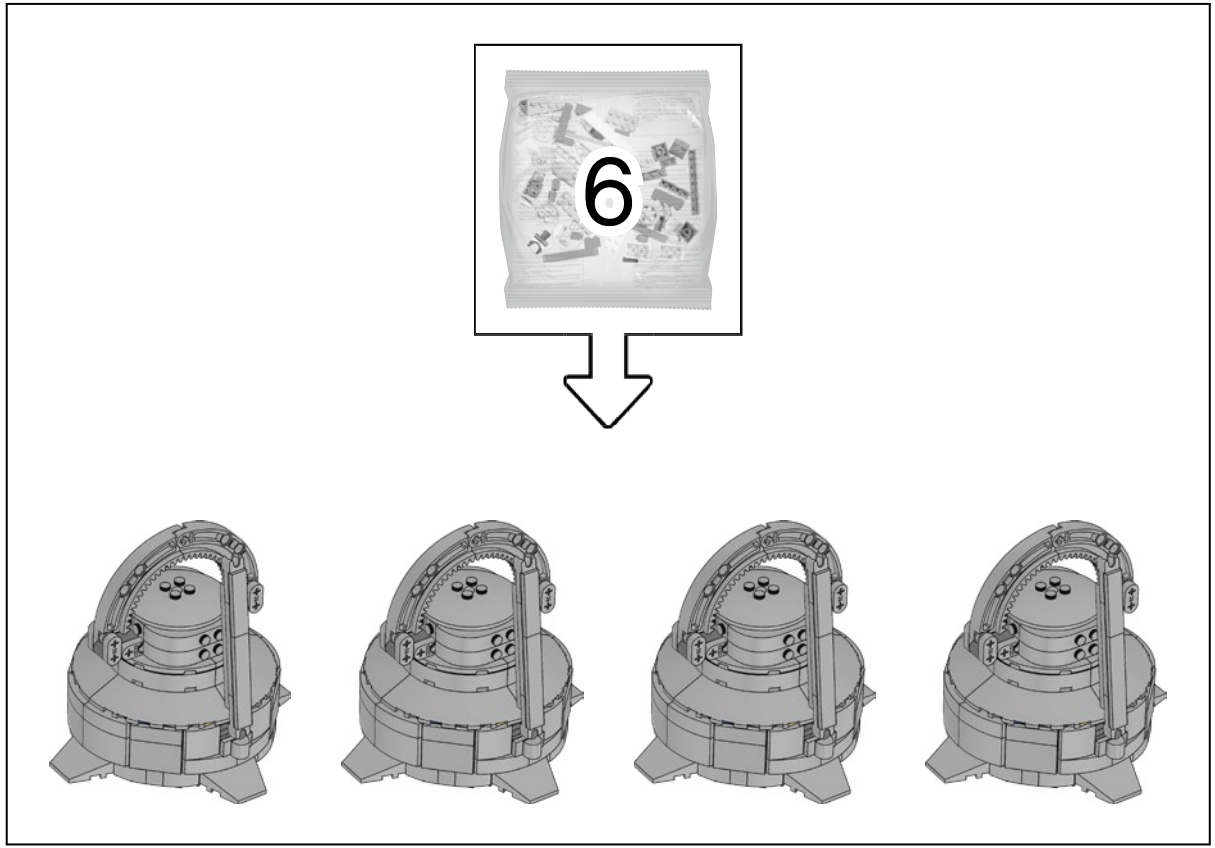


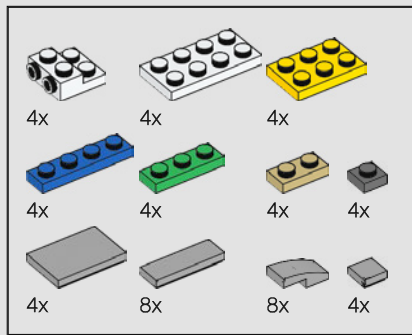
244



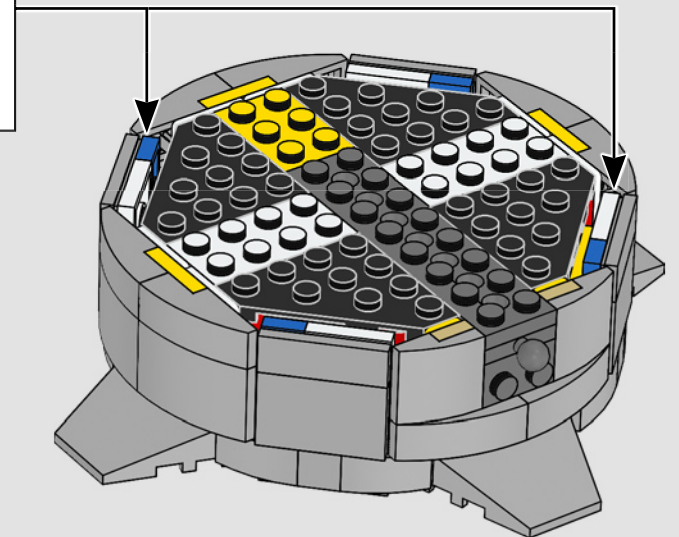
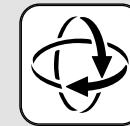
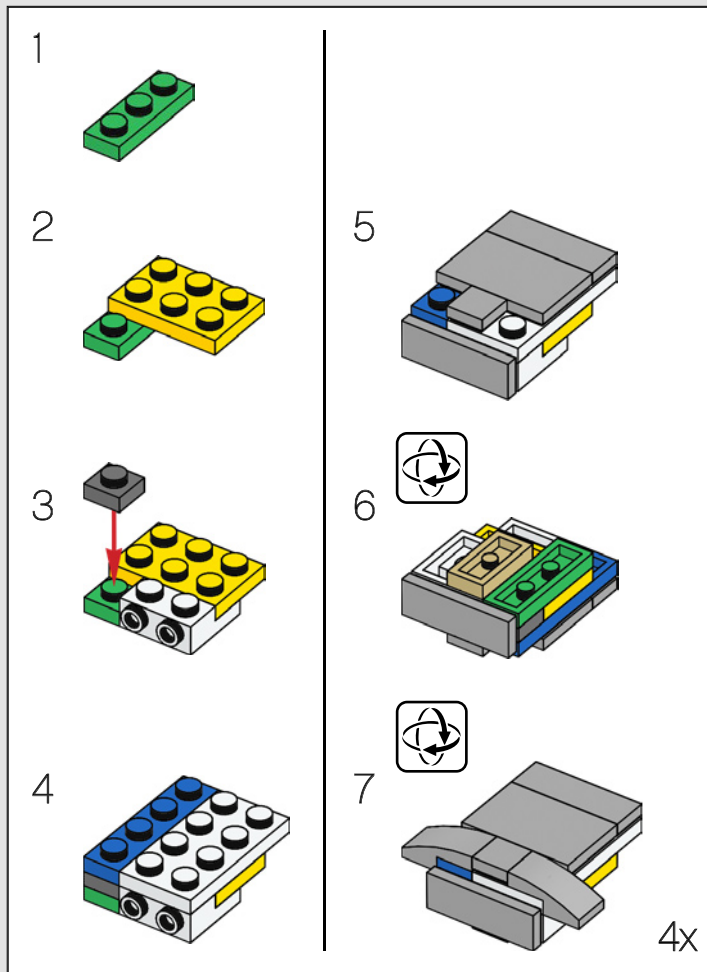
245

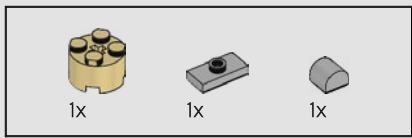




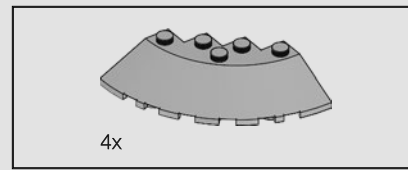
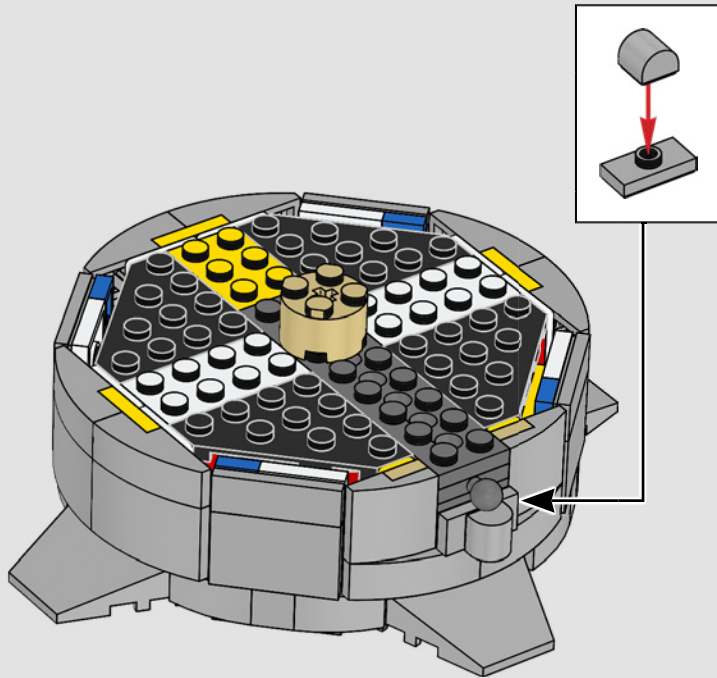


246

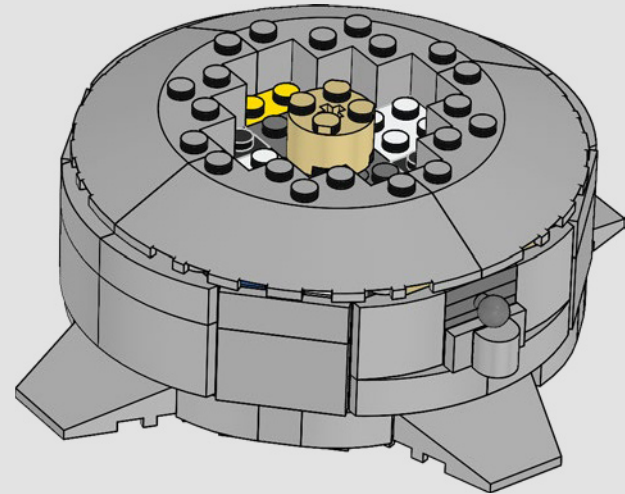


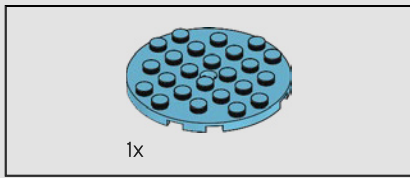


247

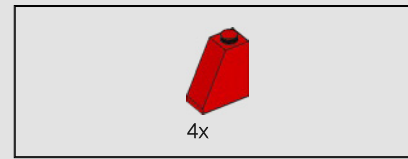
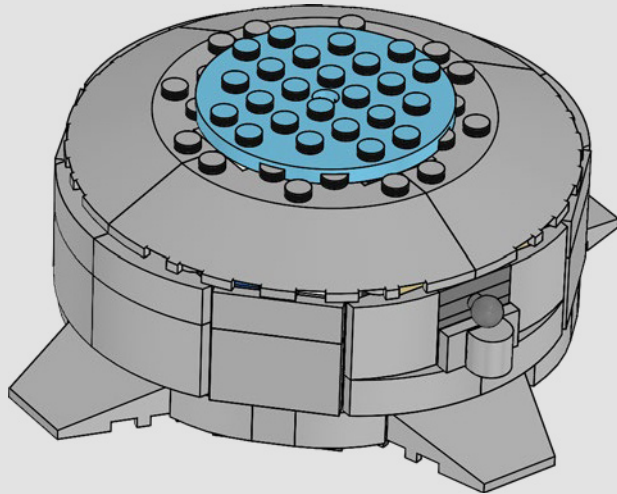


248

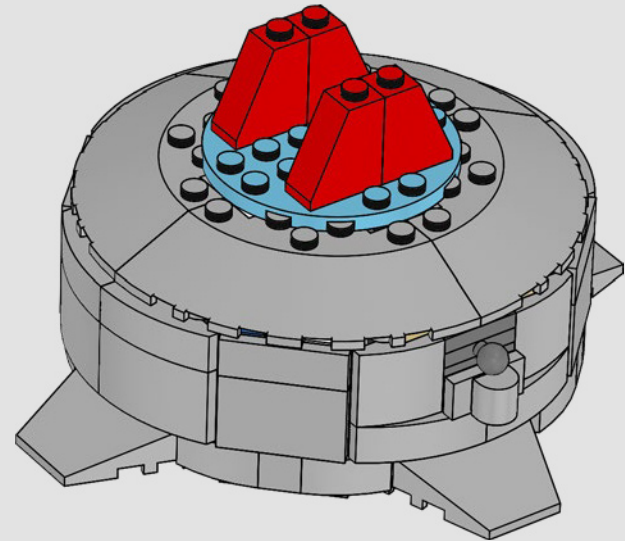


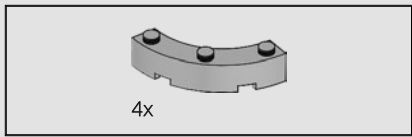


249

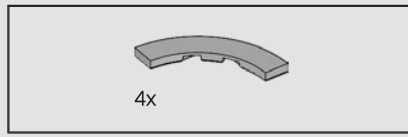
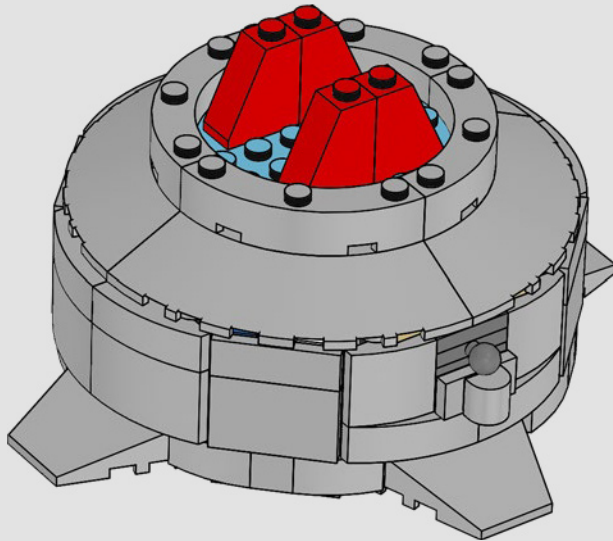


250

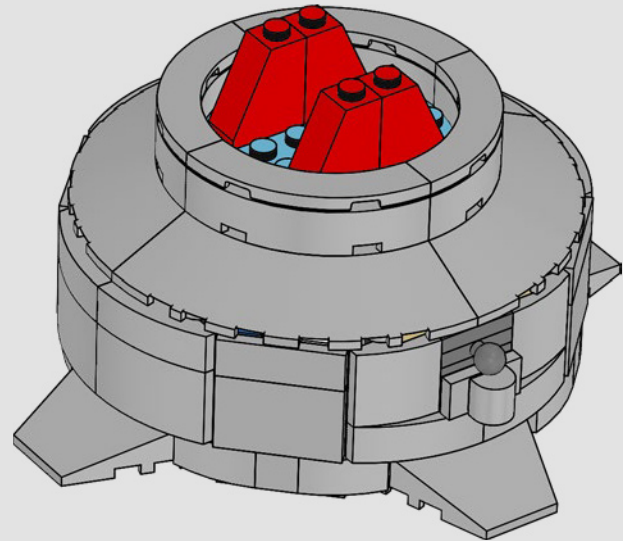


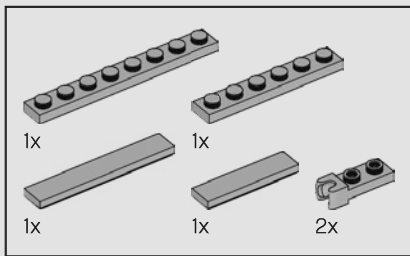


251

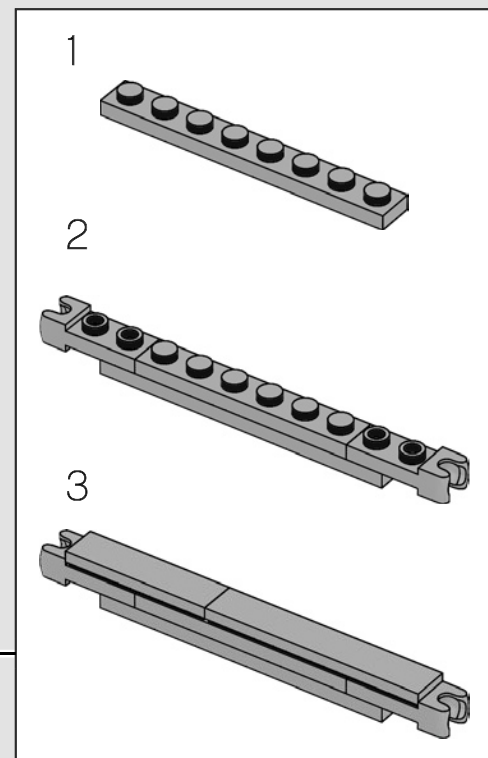
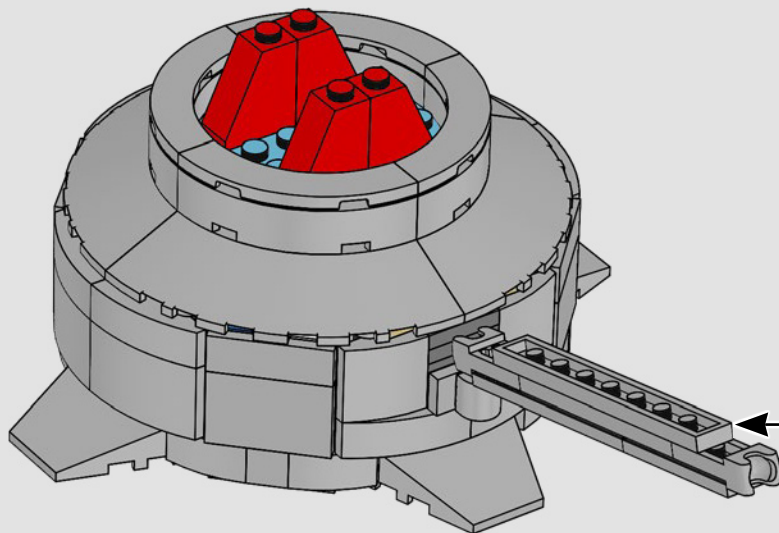


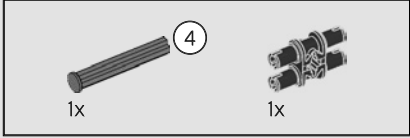
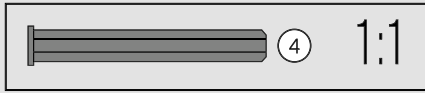
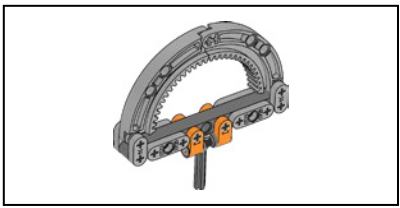
252



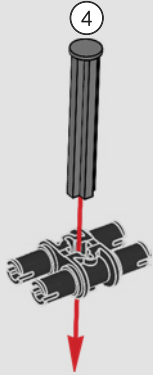


253

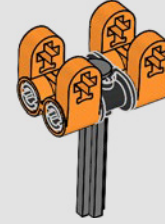




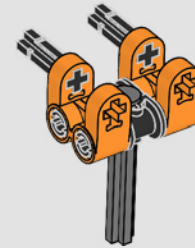
254

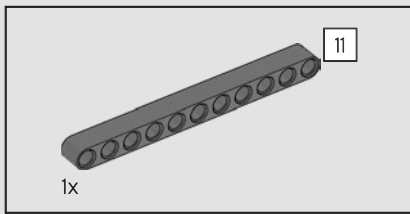


255

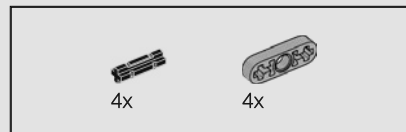
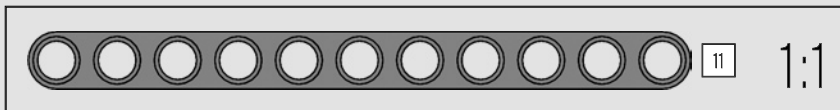
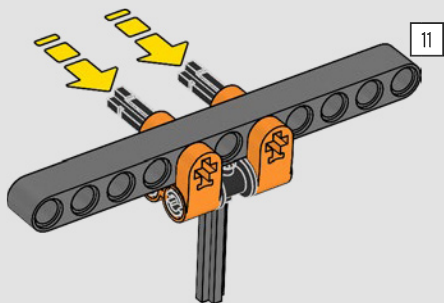


256

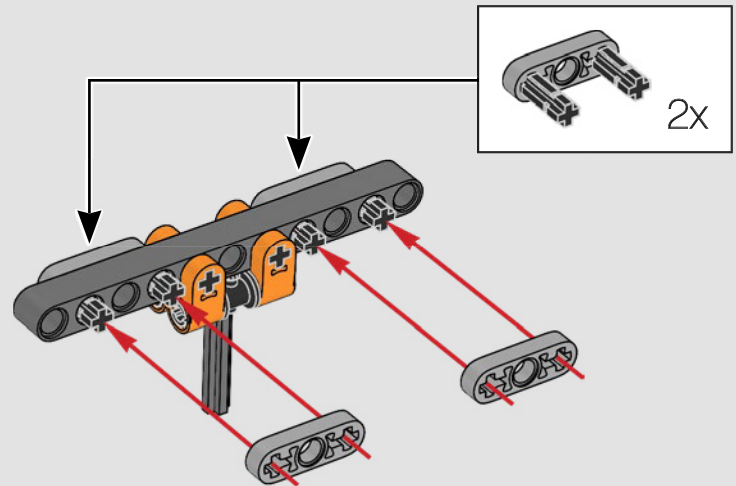


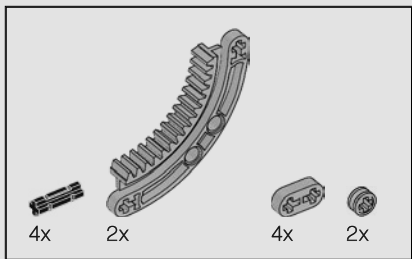


257

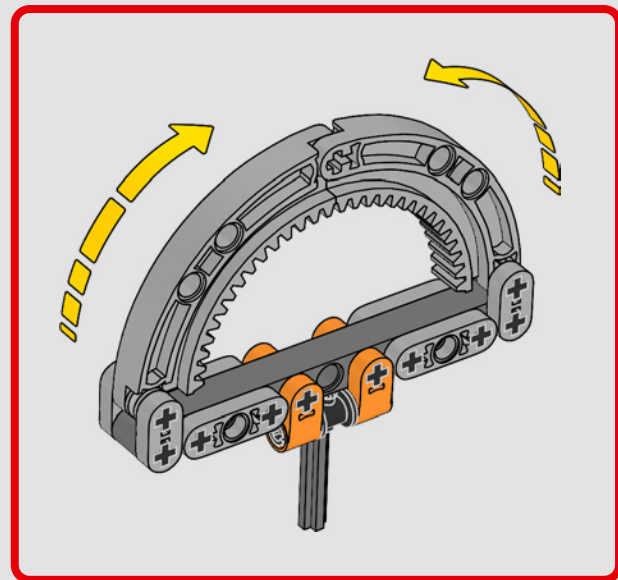
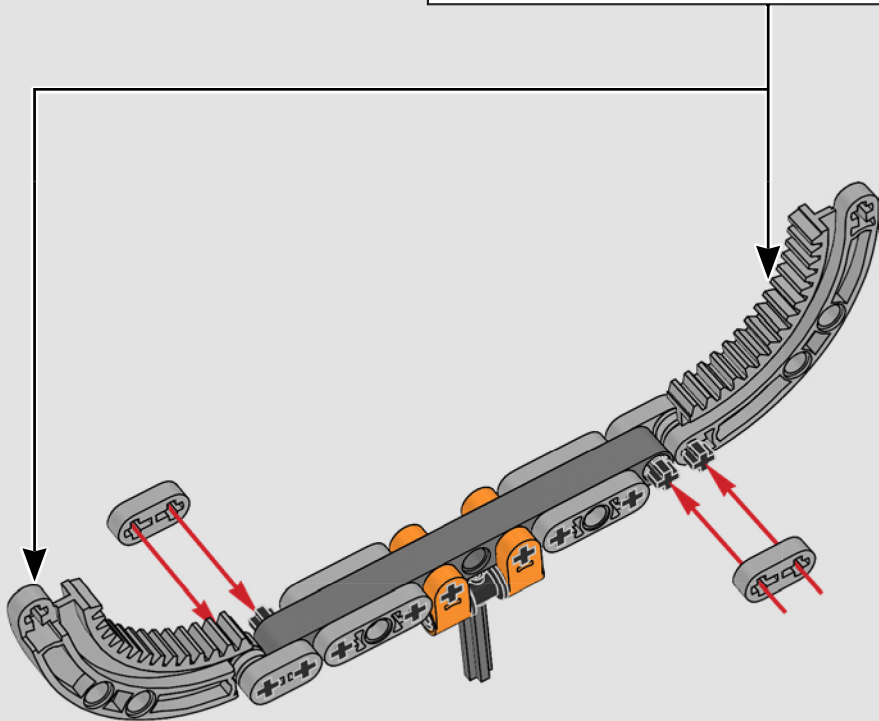
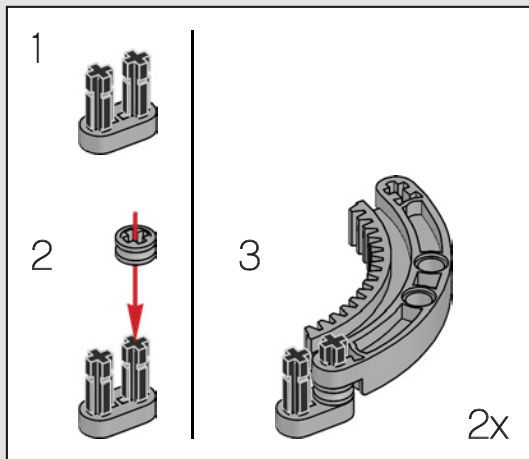


258

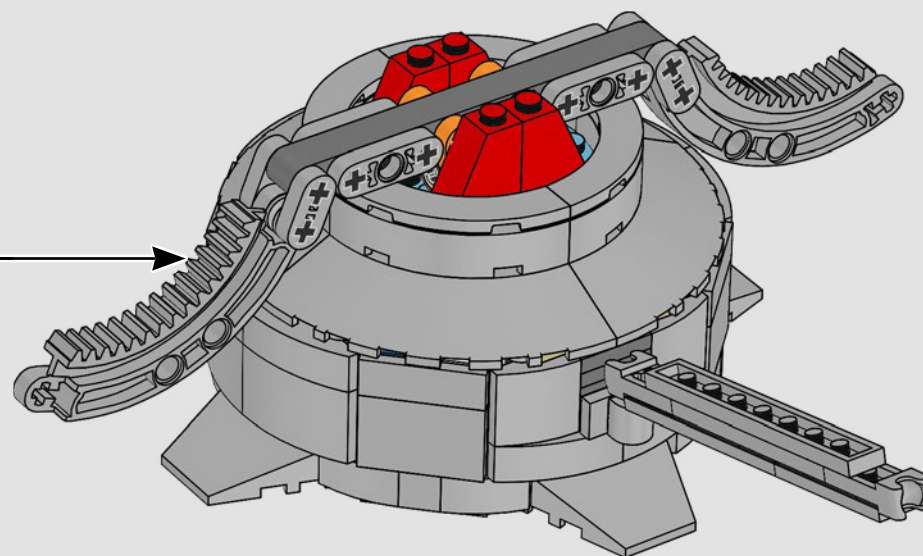


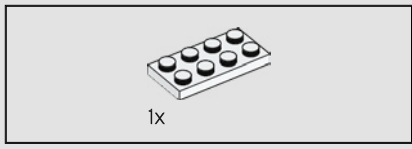


259

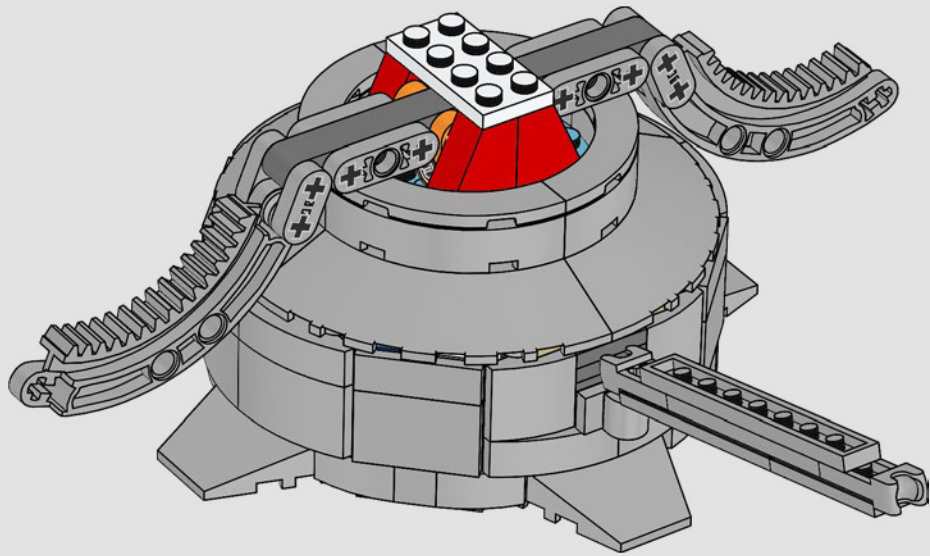


260

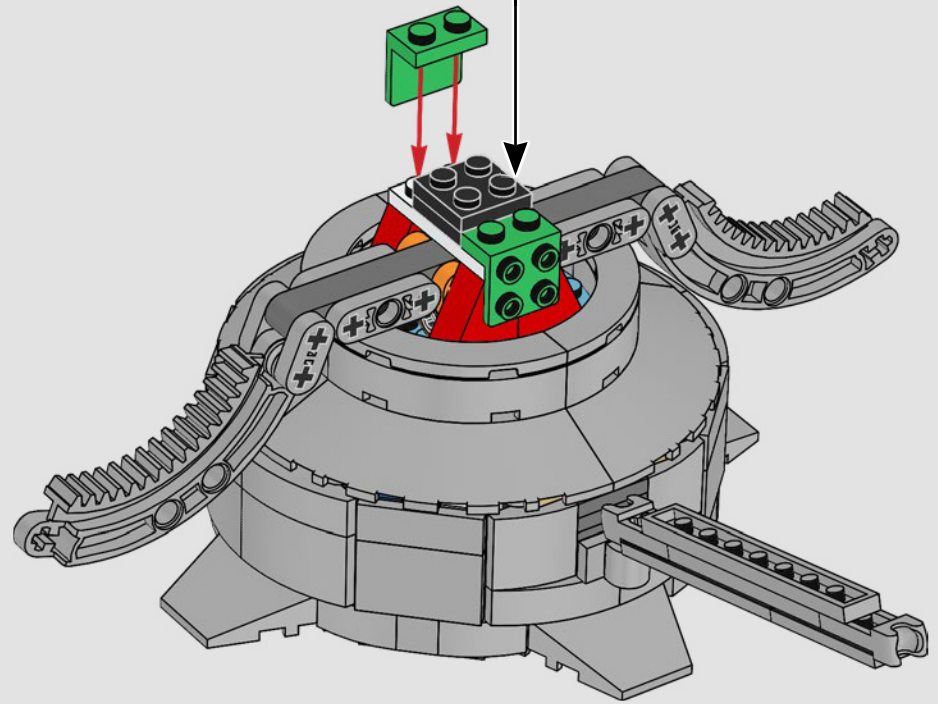
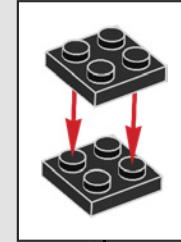


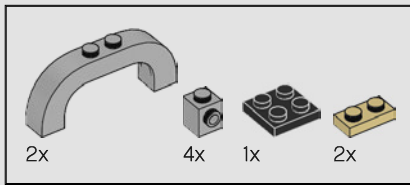


261

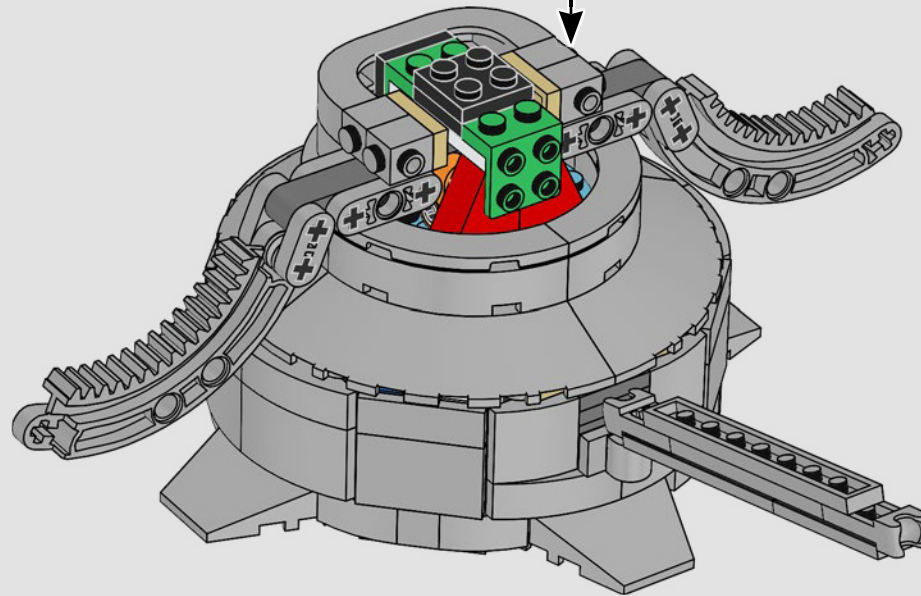
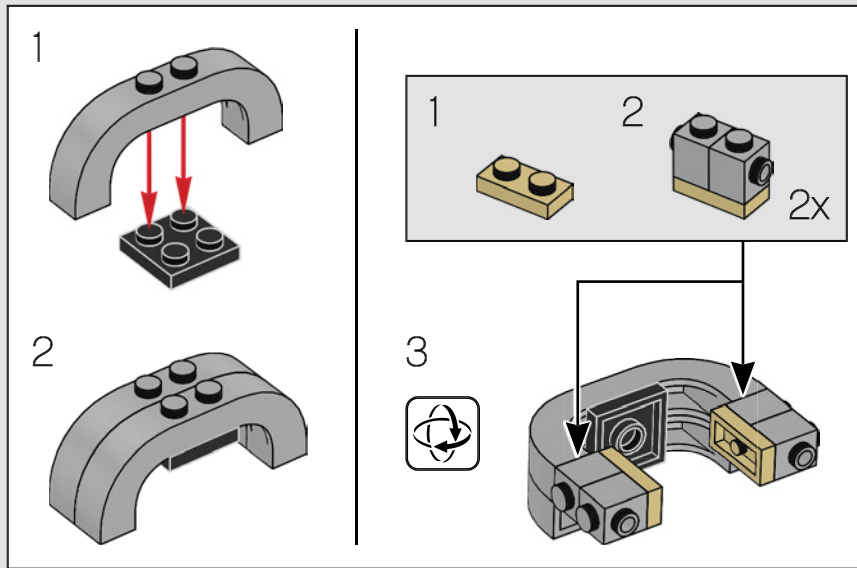


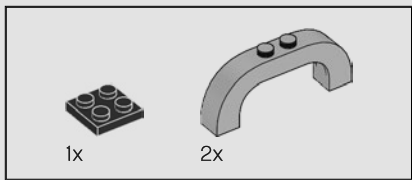
262



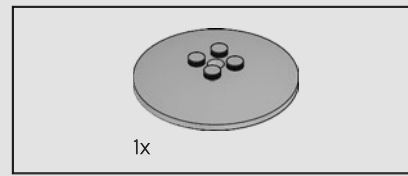
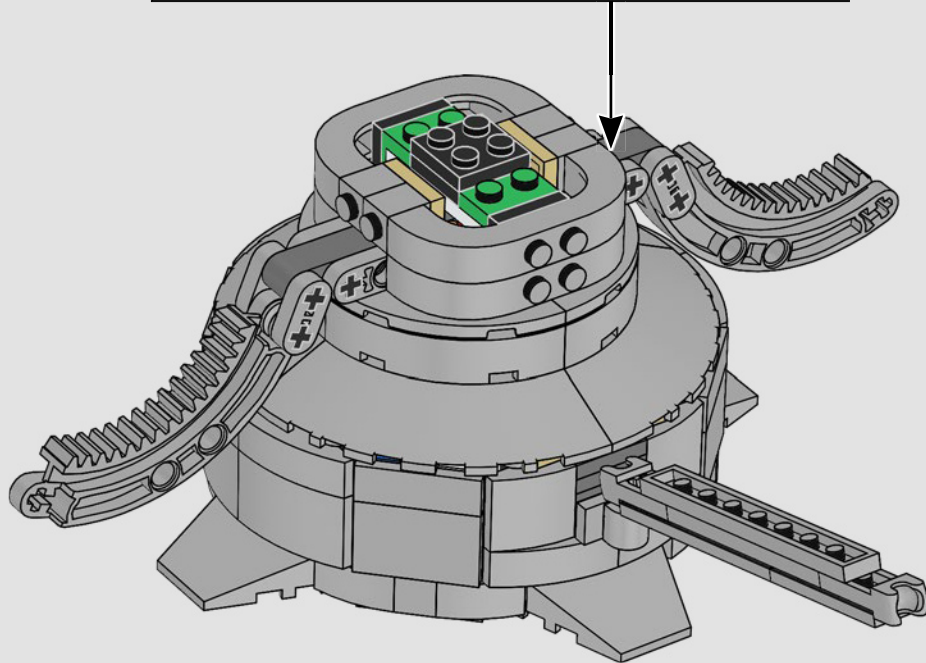
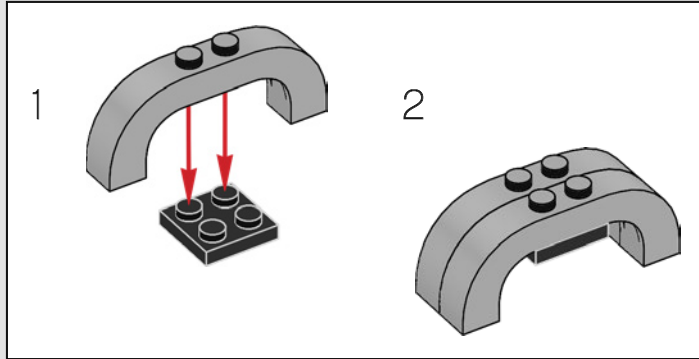


263

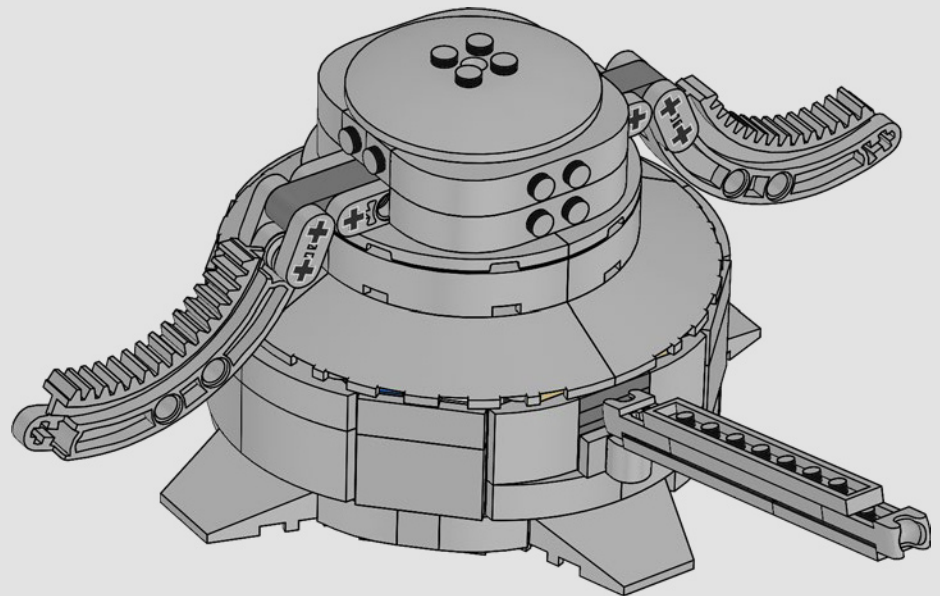


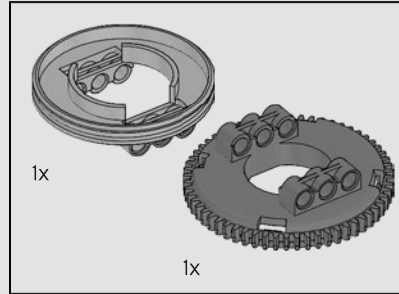
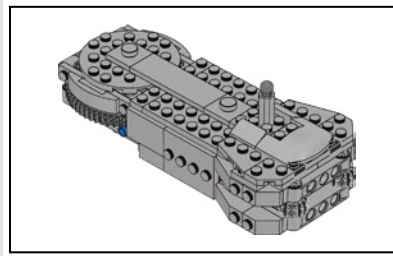
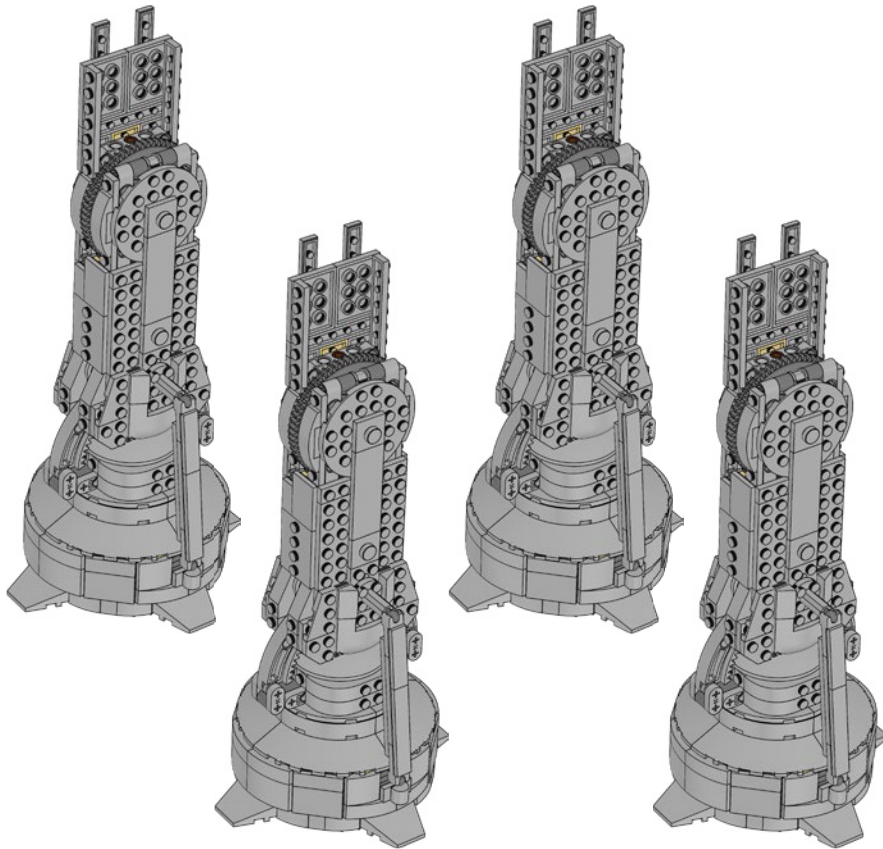
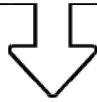


264

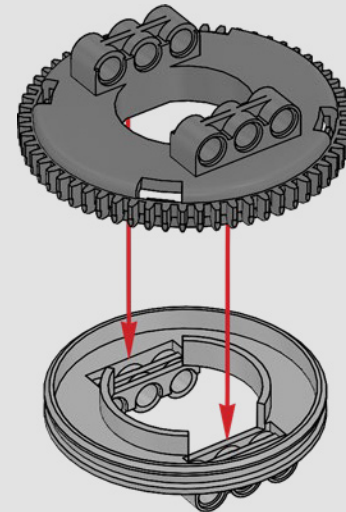


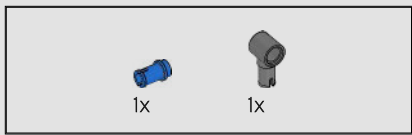
265



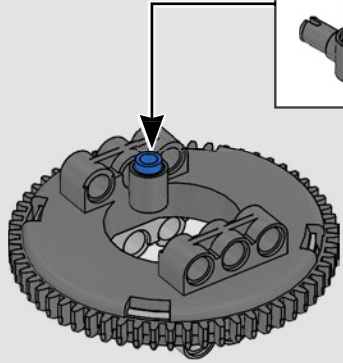
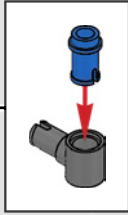


266

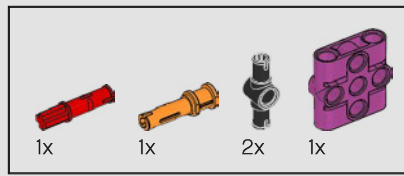
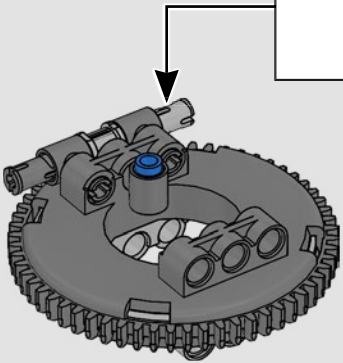
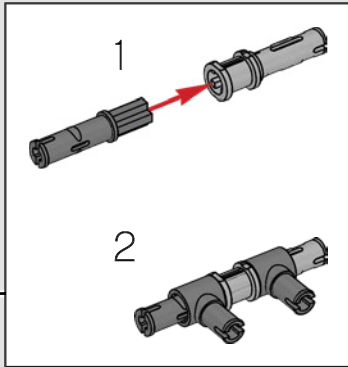




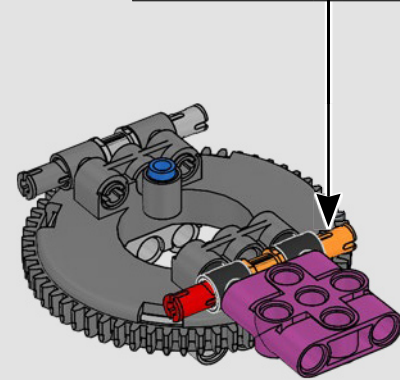
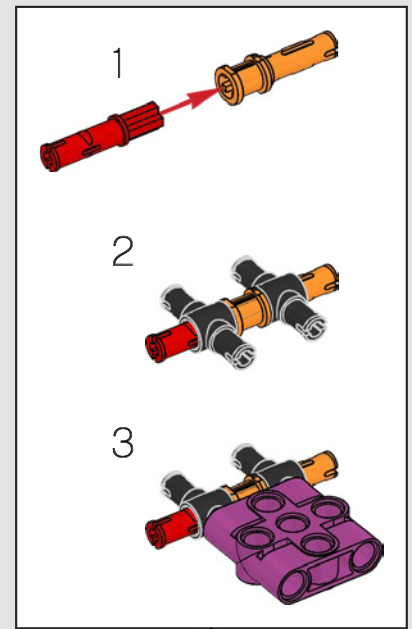
267

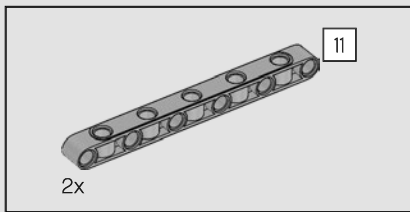


268

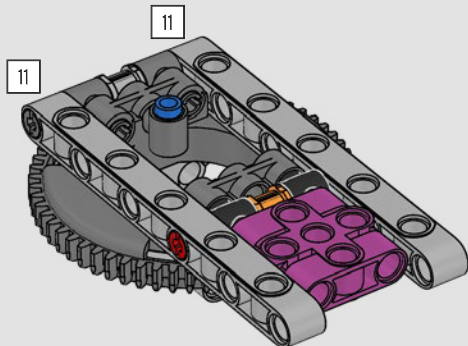


269

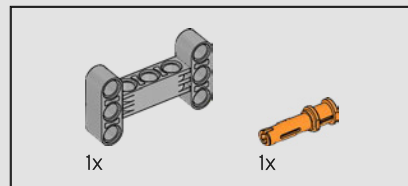
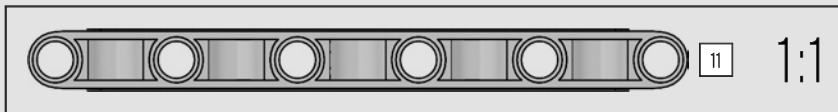
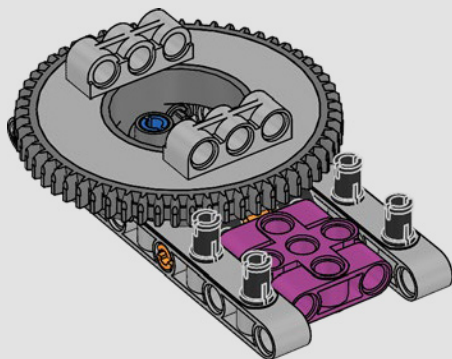




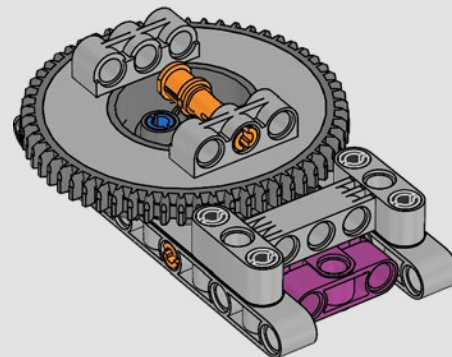
270



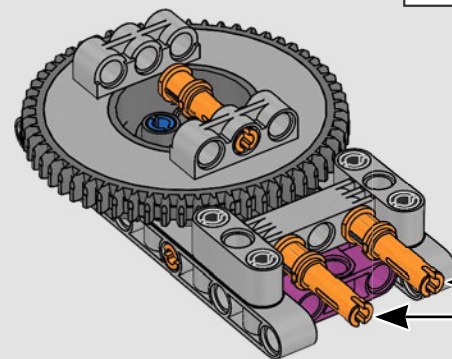
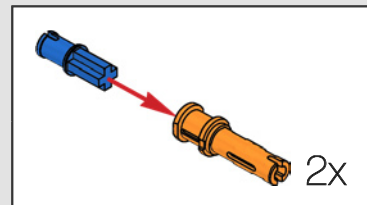
271



272

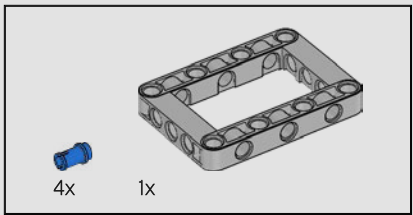
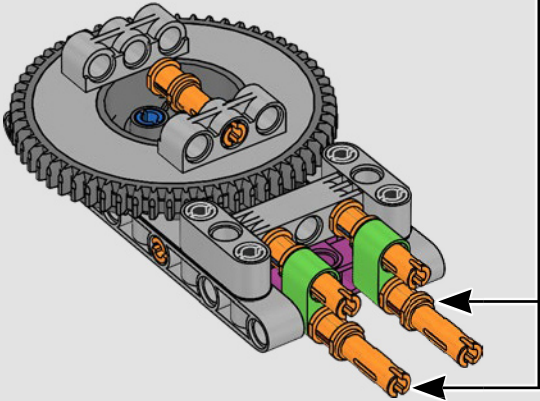
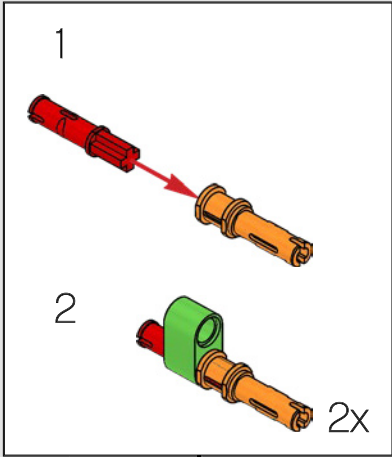


273

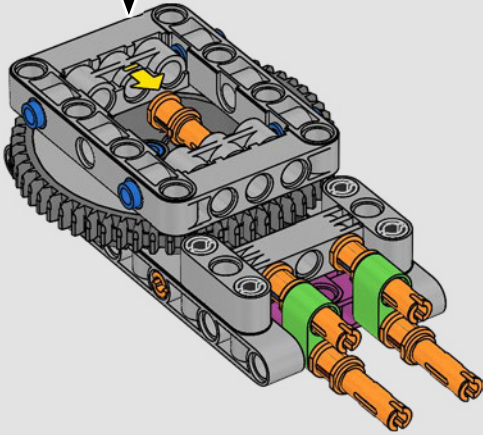
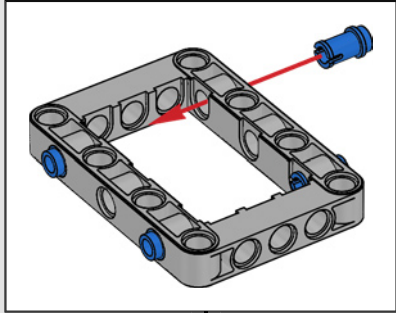


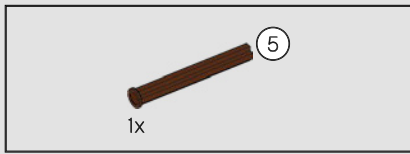


274

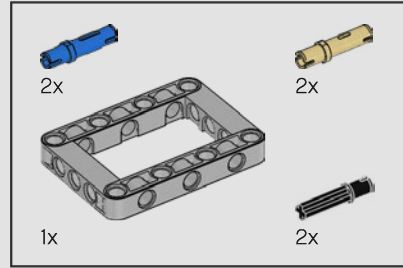
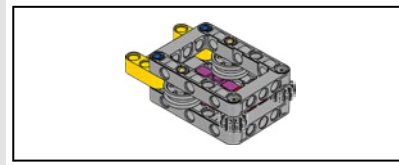
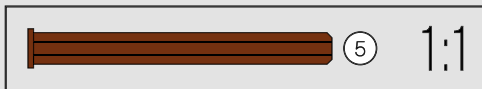
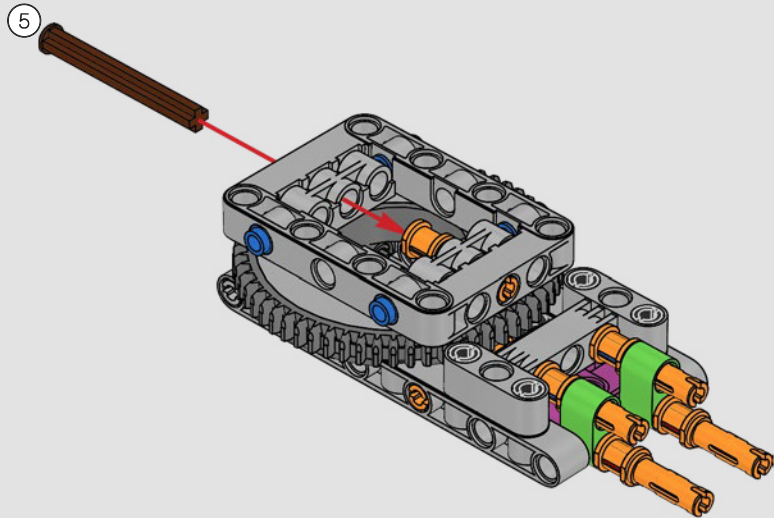


275

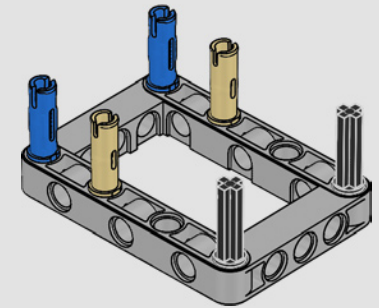




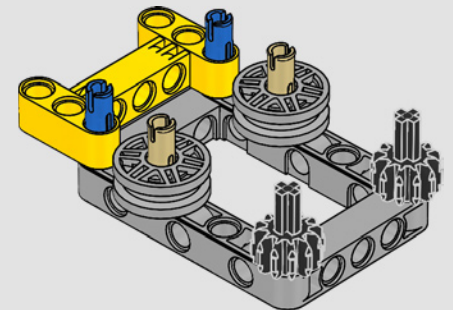
276

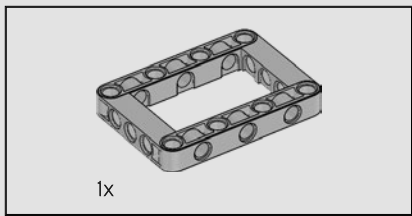


277

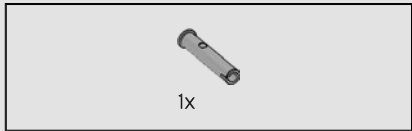
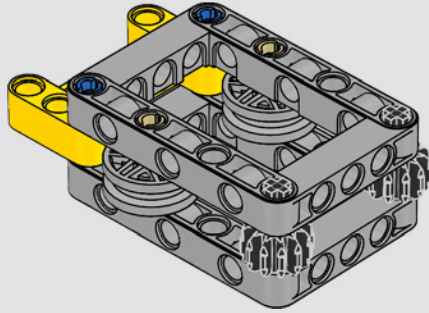


278

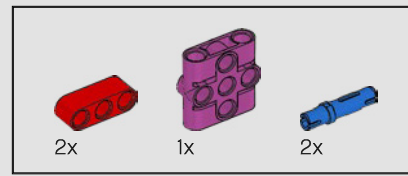
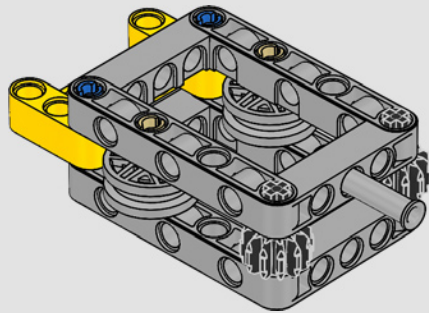




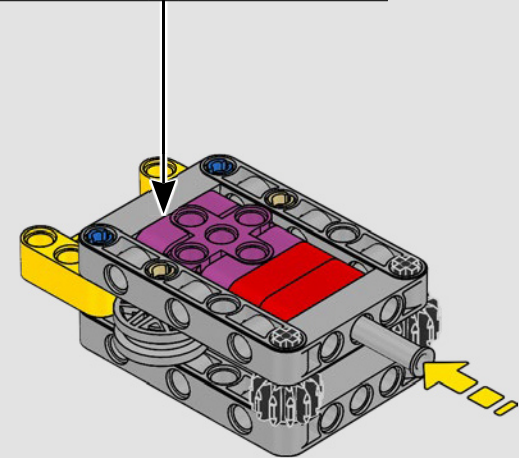
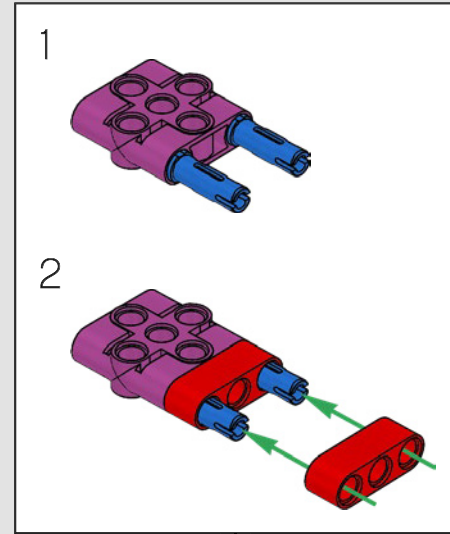
279



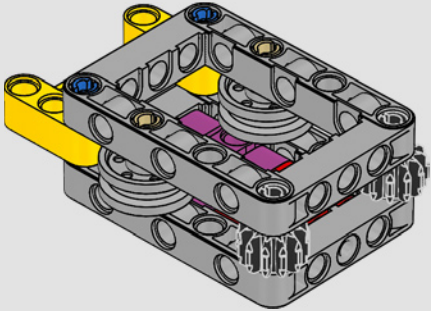
280



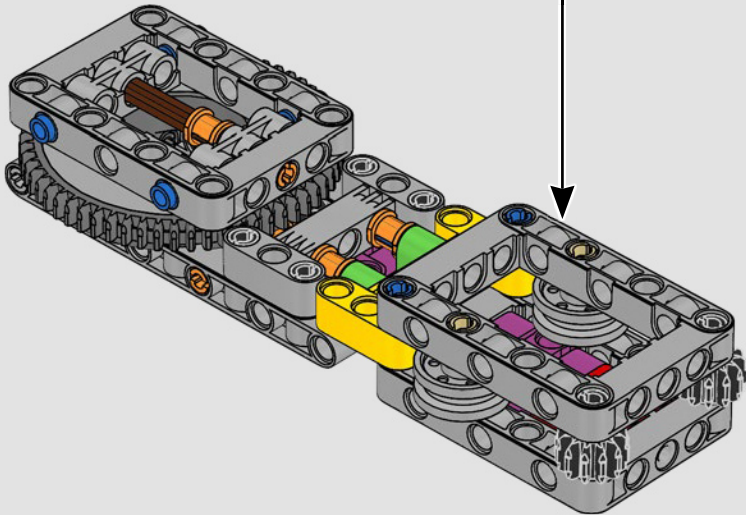
281



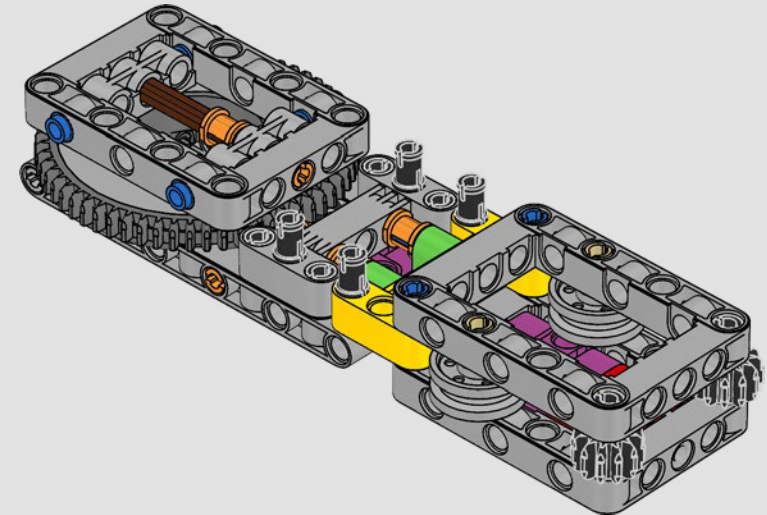
282

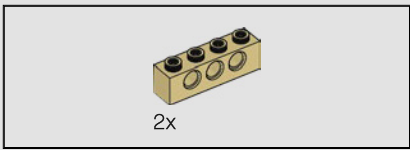


283

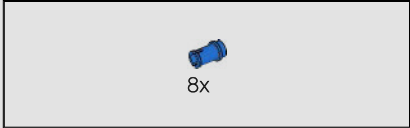
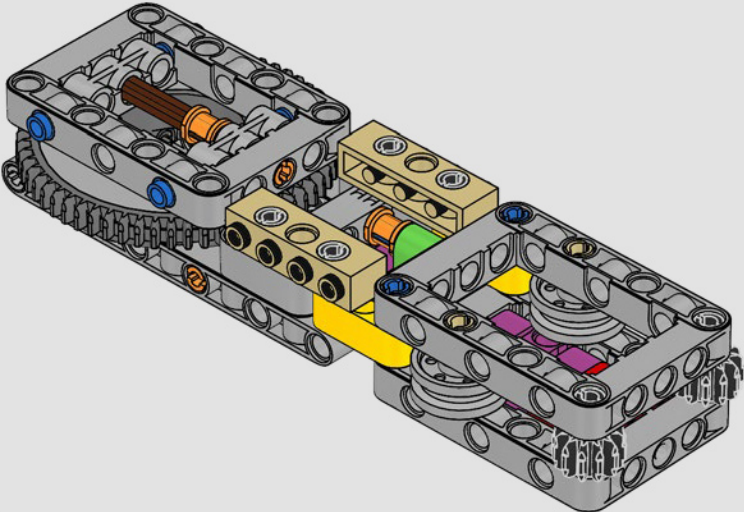


284

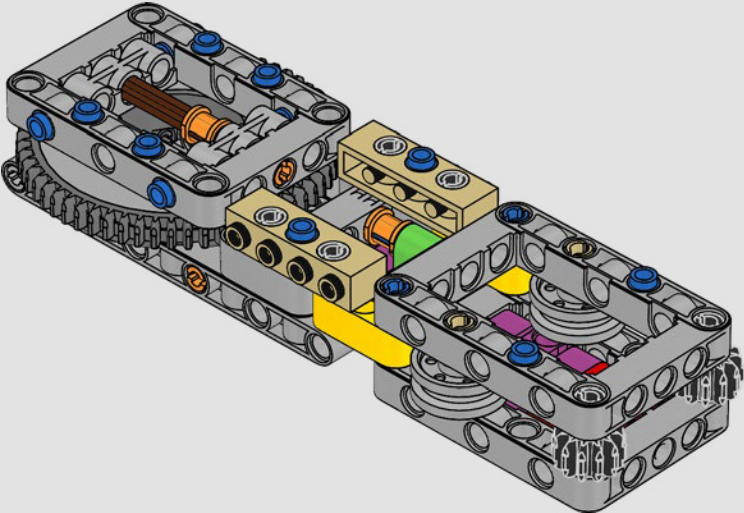




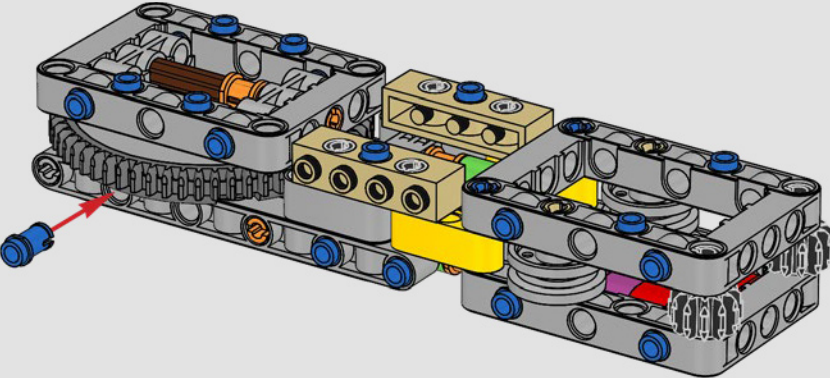
285

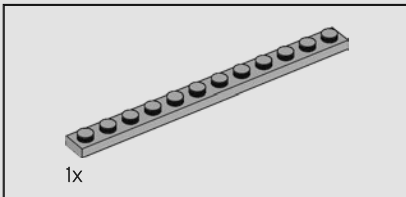
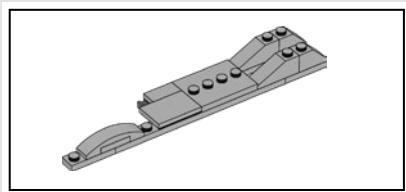


286

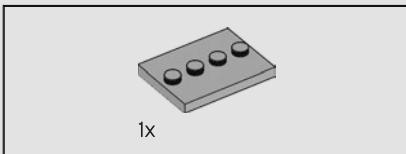
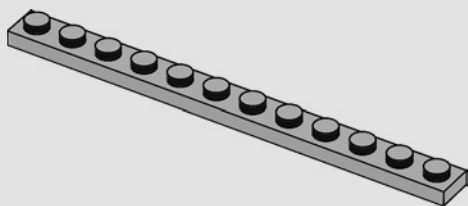


287

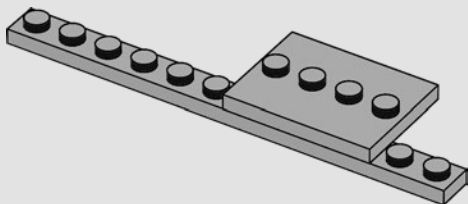




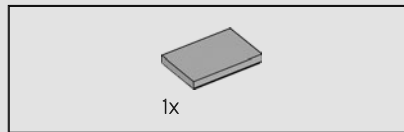
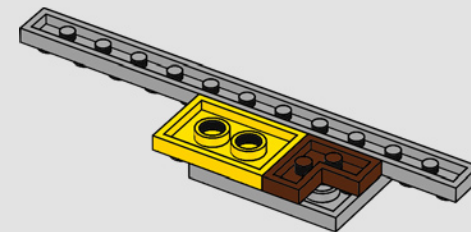
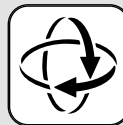
288



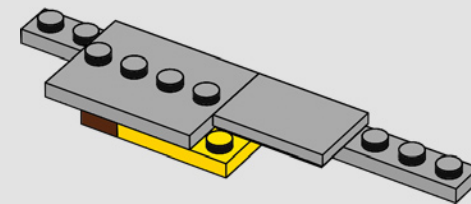
289

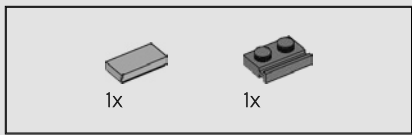


290

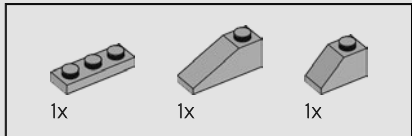
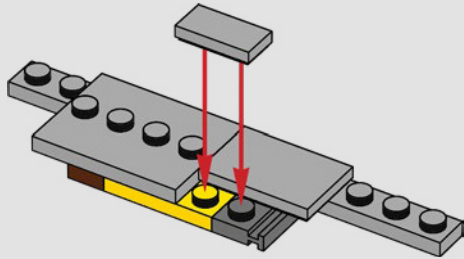


291

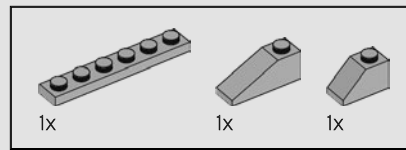
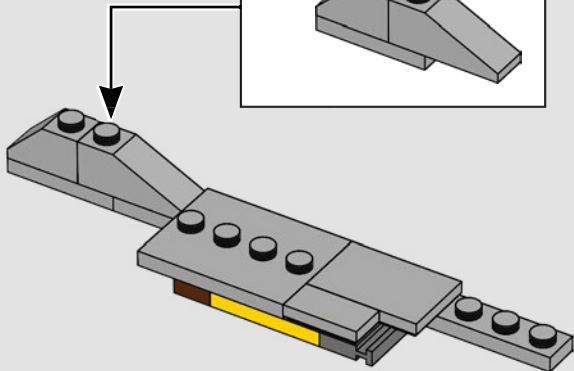
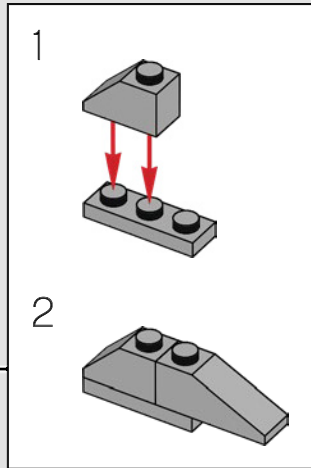




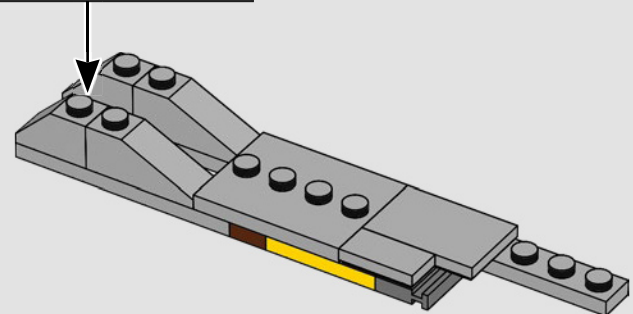
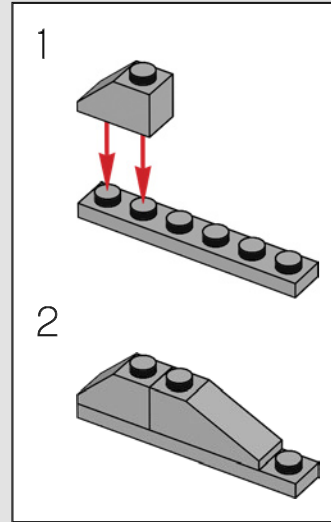
292

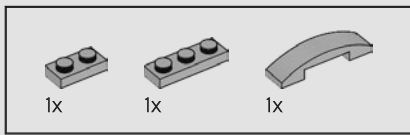


293

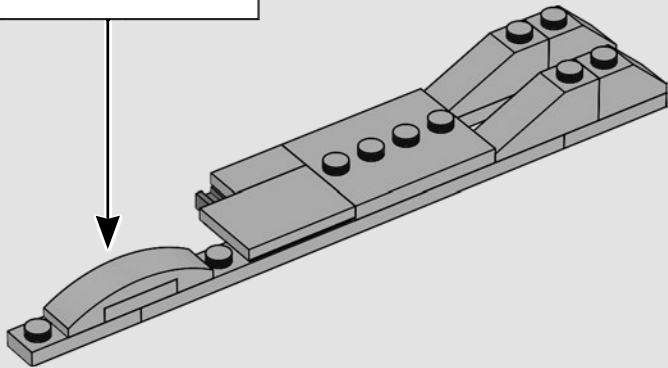
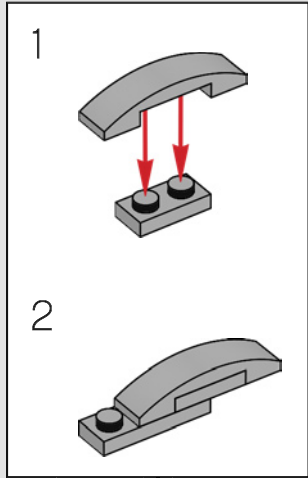


294

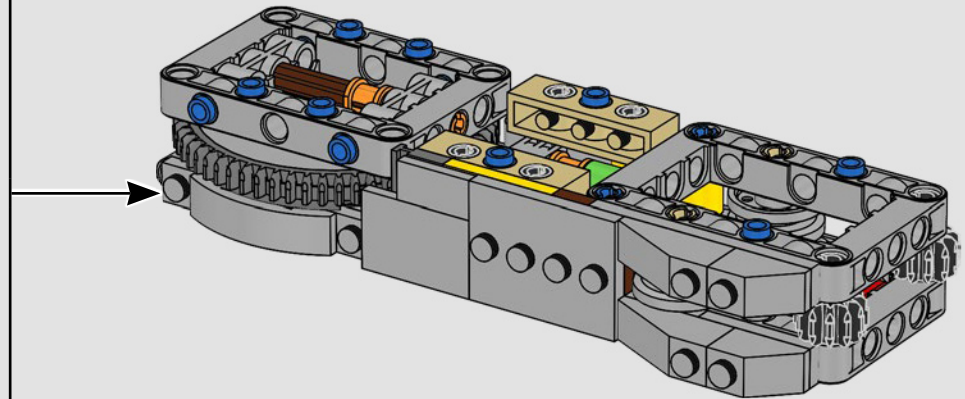




295



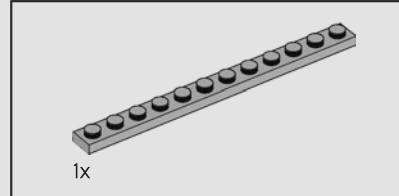
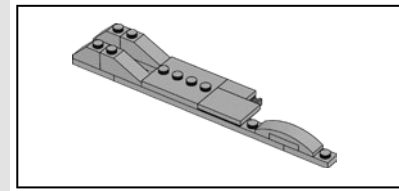
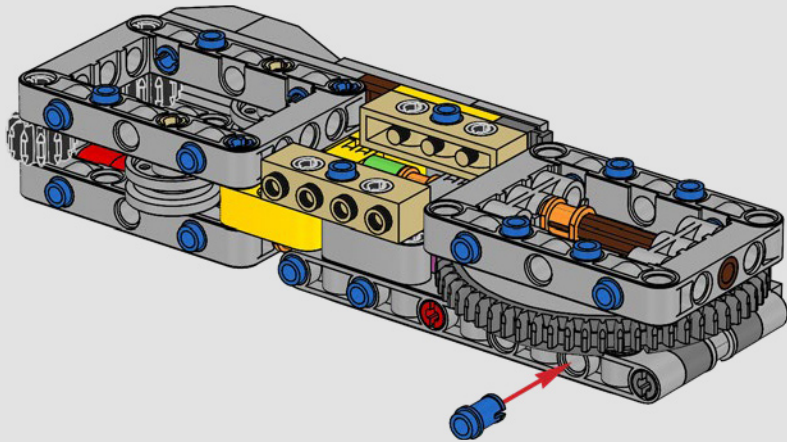
296





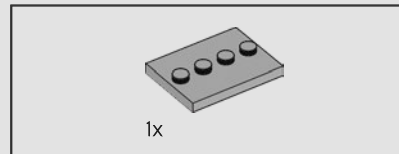
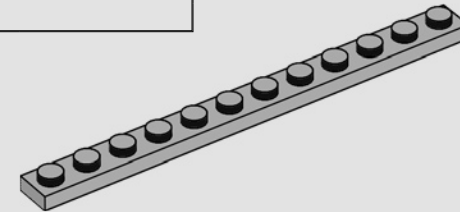
7x

297



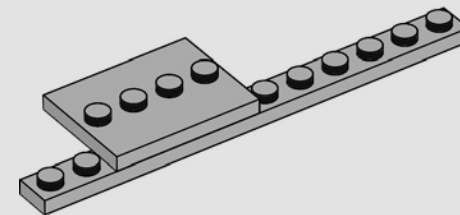
1x

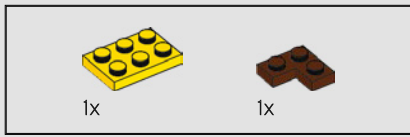
298



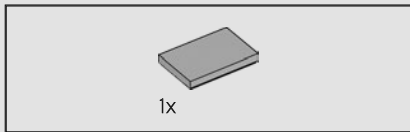
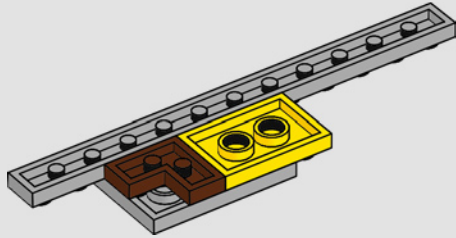
1x

299

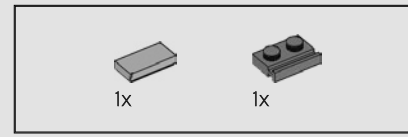
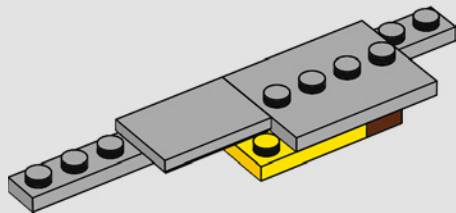




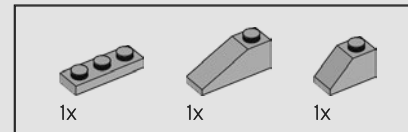
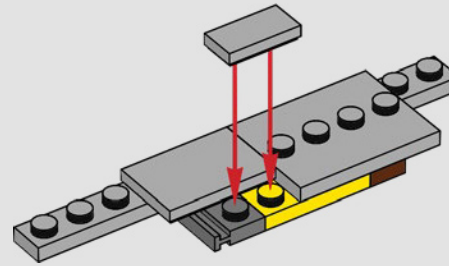
300



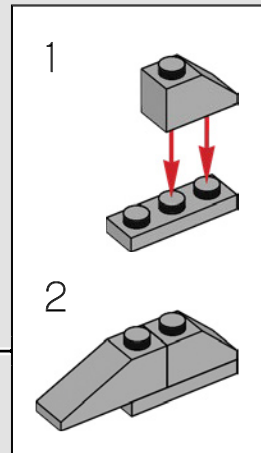
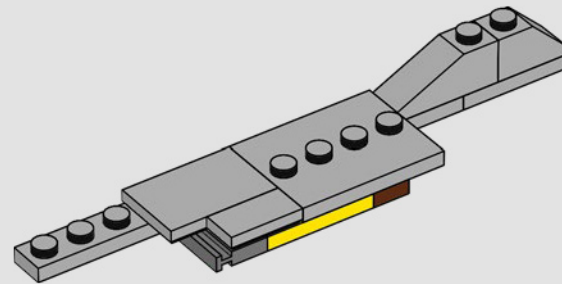
301

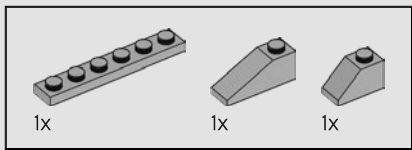


302

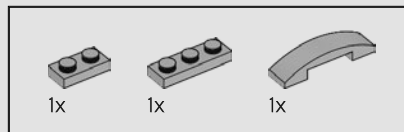
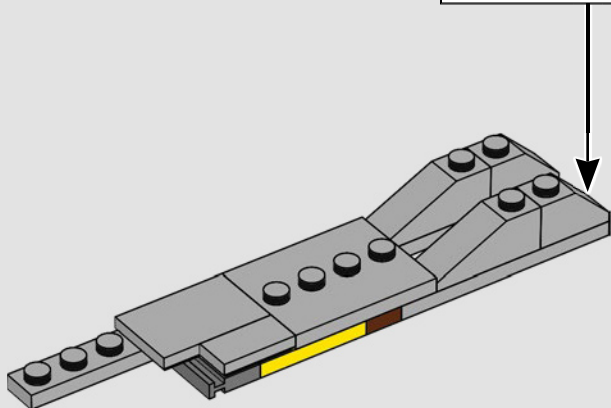
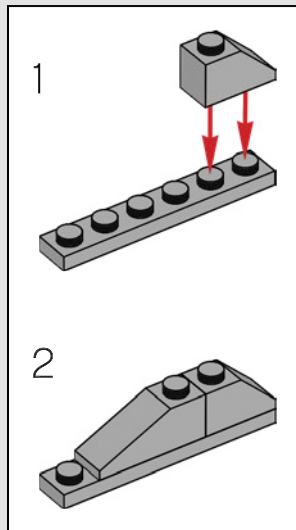


303

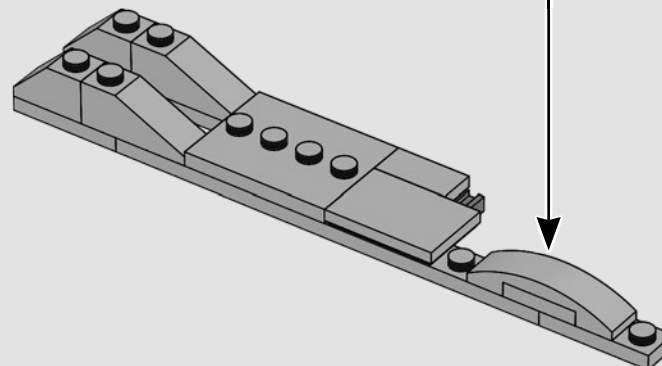
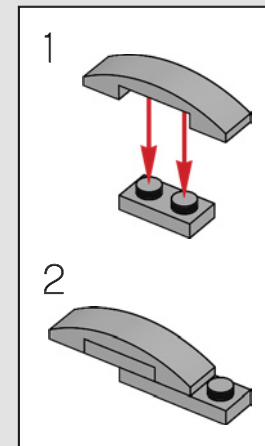
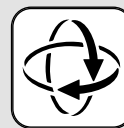




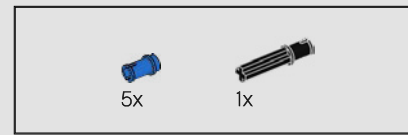
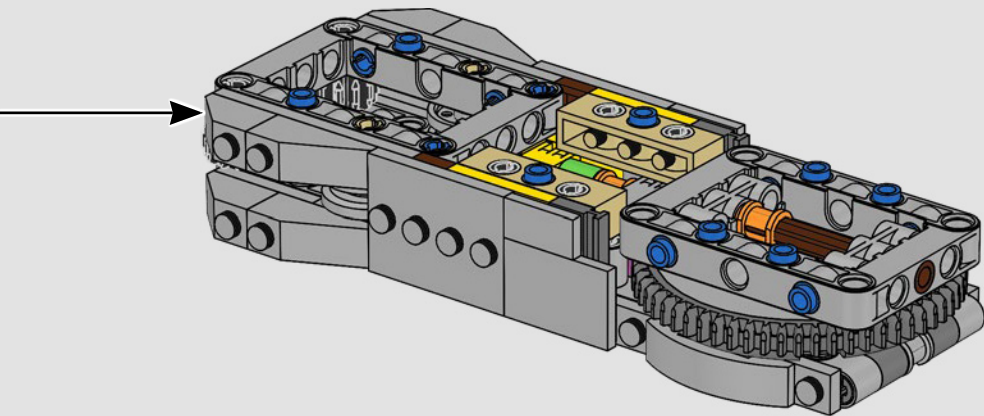
304



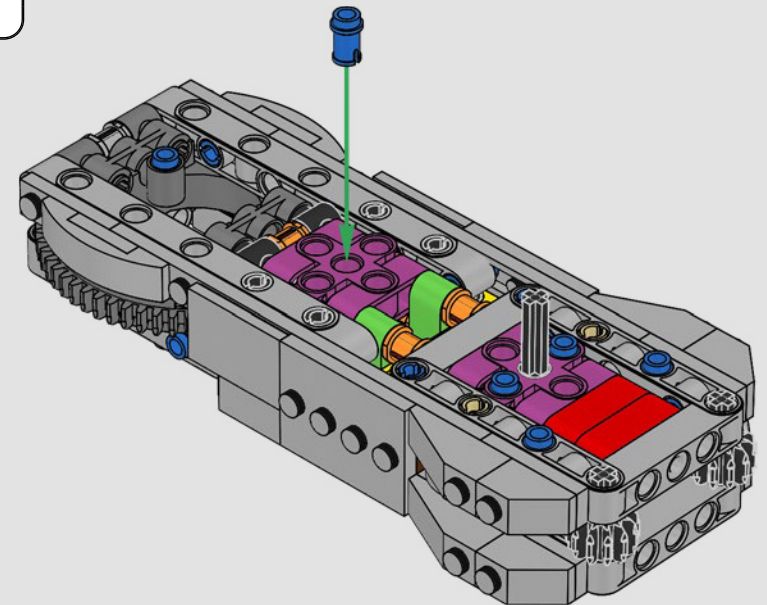
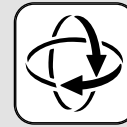
305

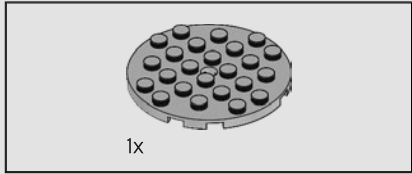
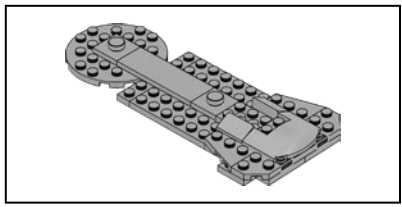


306

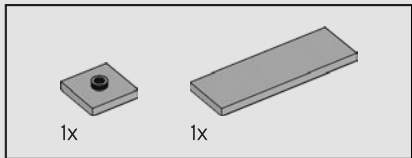
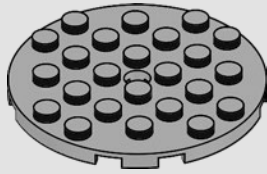


307

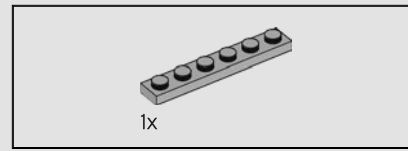
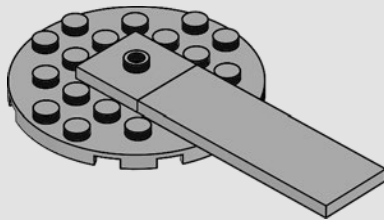




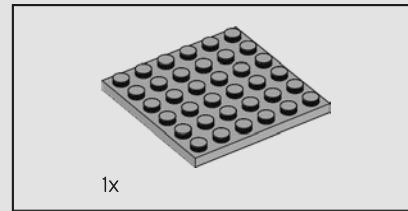
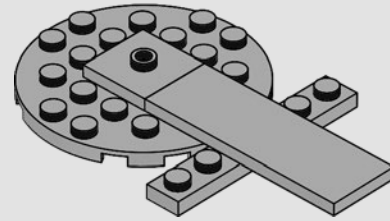
308



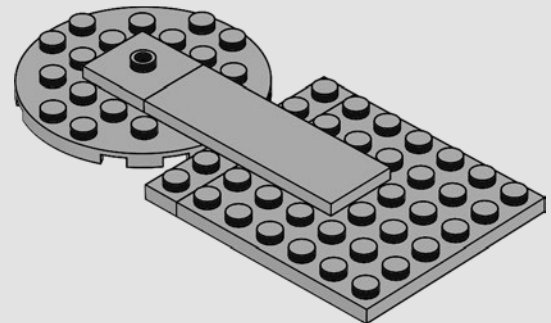
309

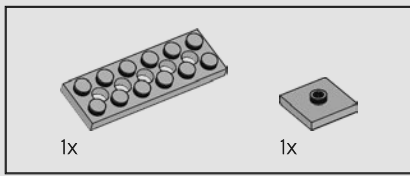


310

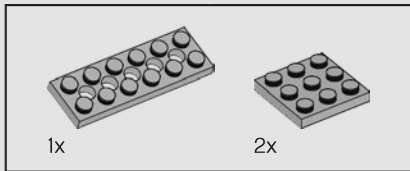
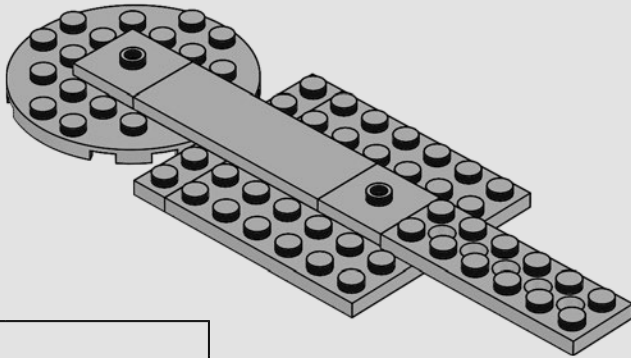


311

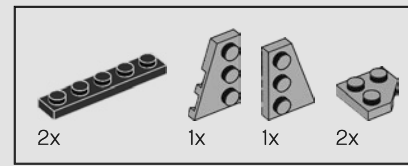
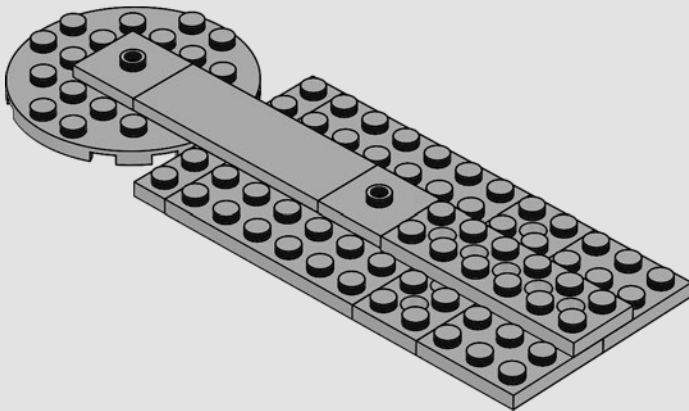




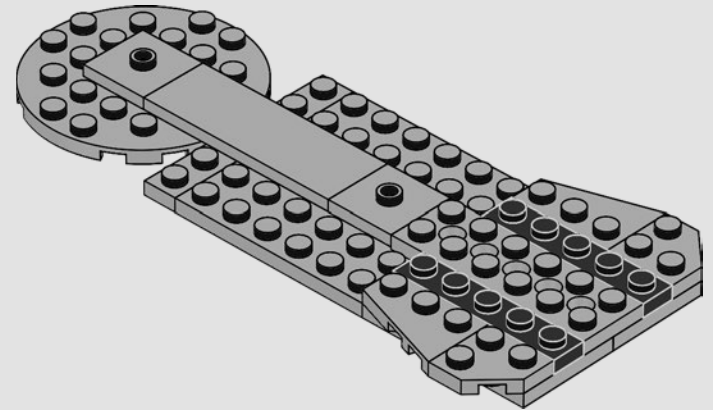
312



313



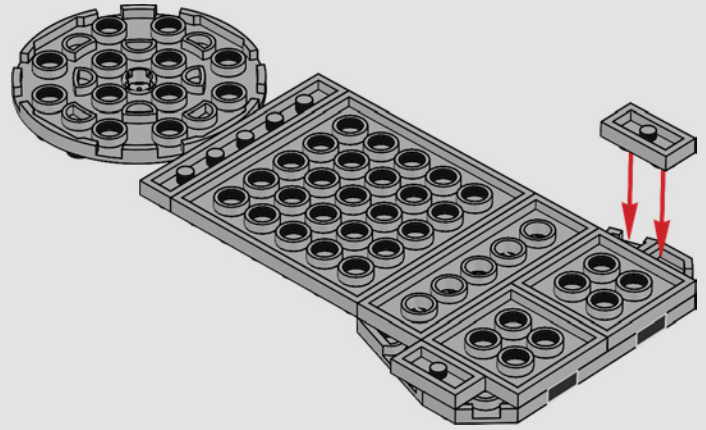
314





2x

315

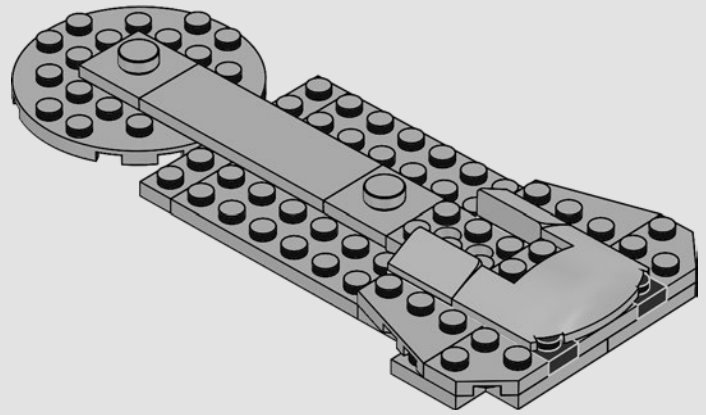


2x

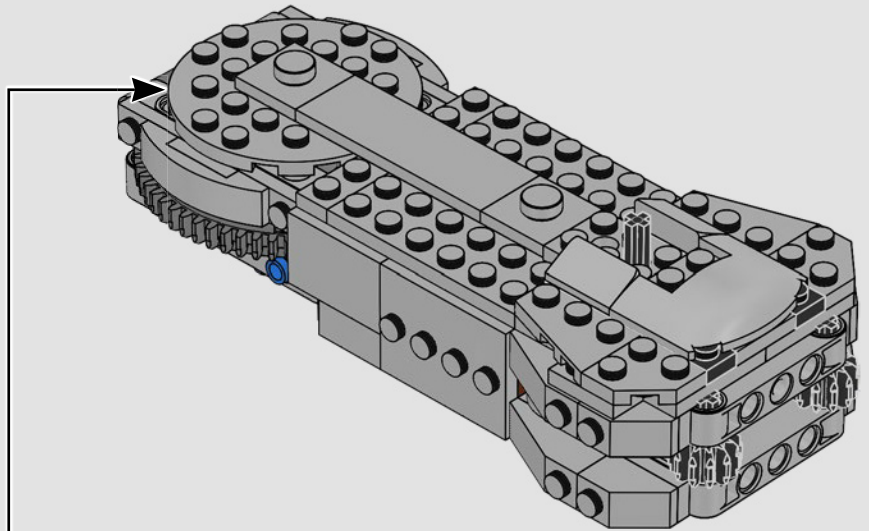
2x

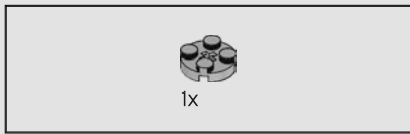
1x

316

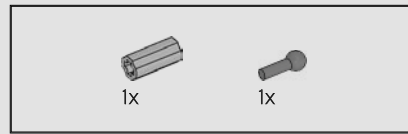
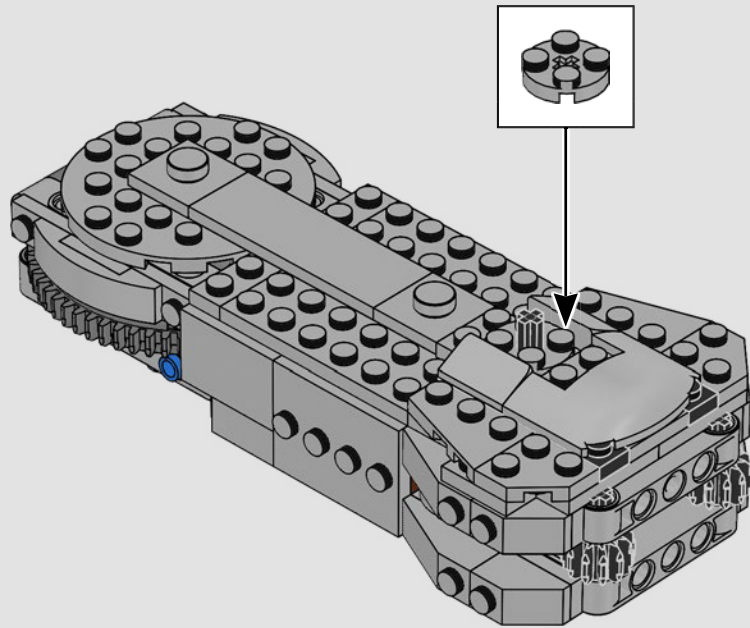


317

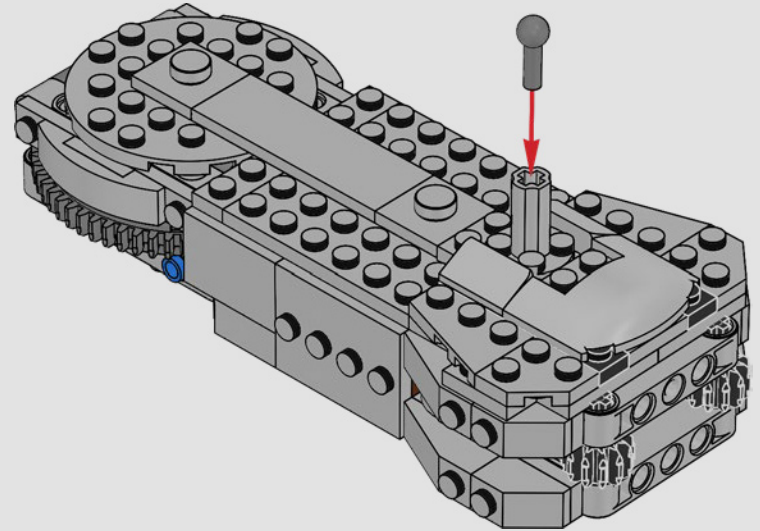




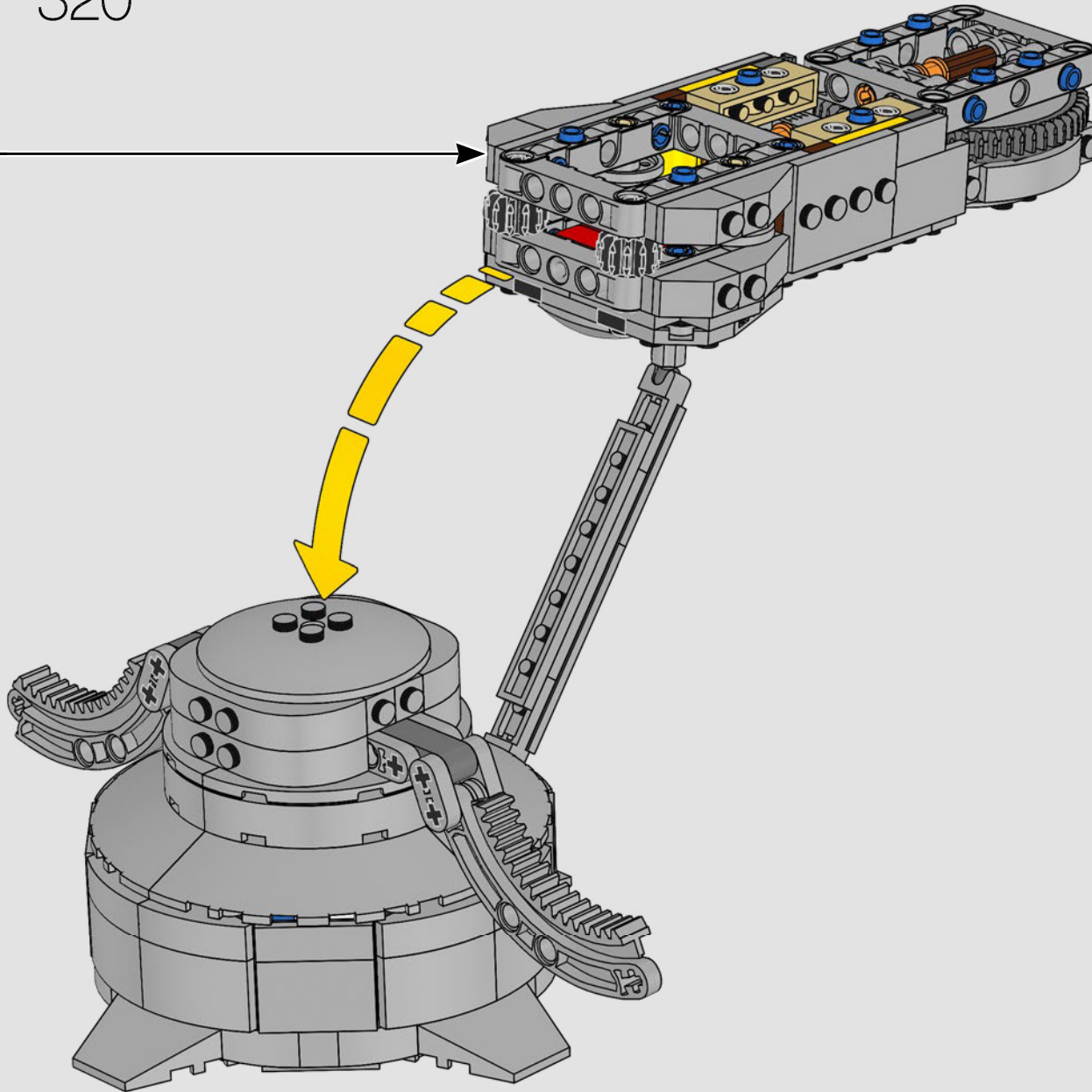
318



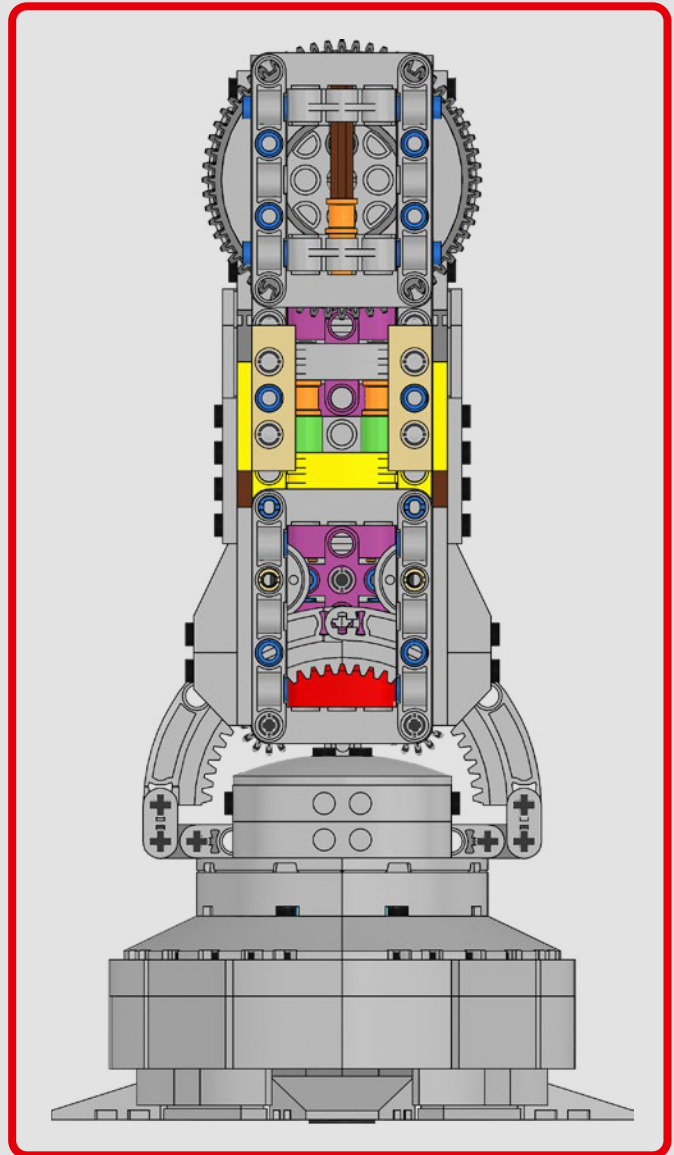
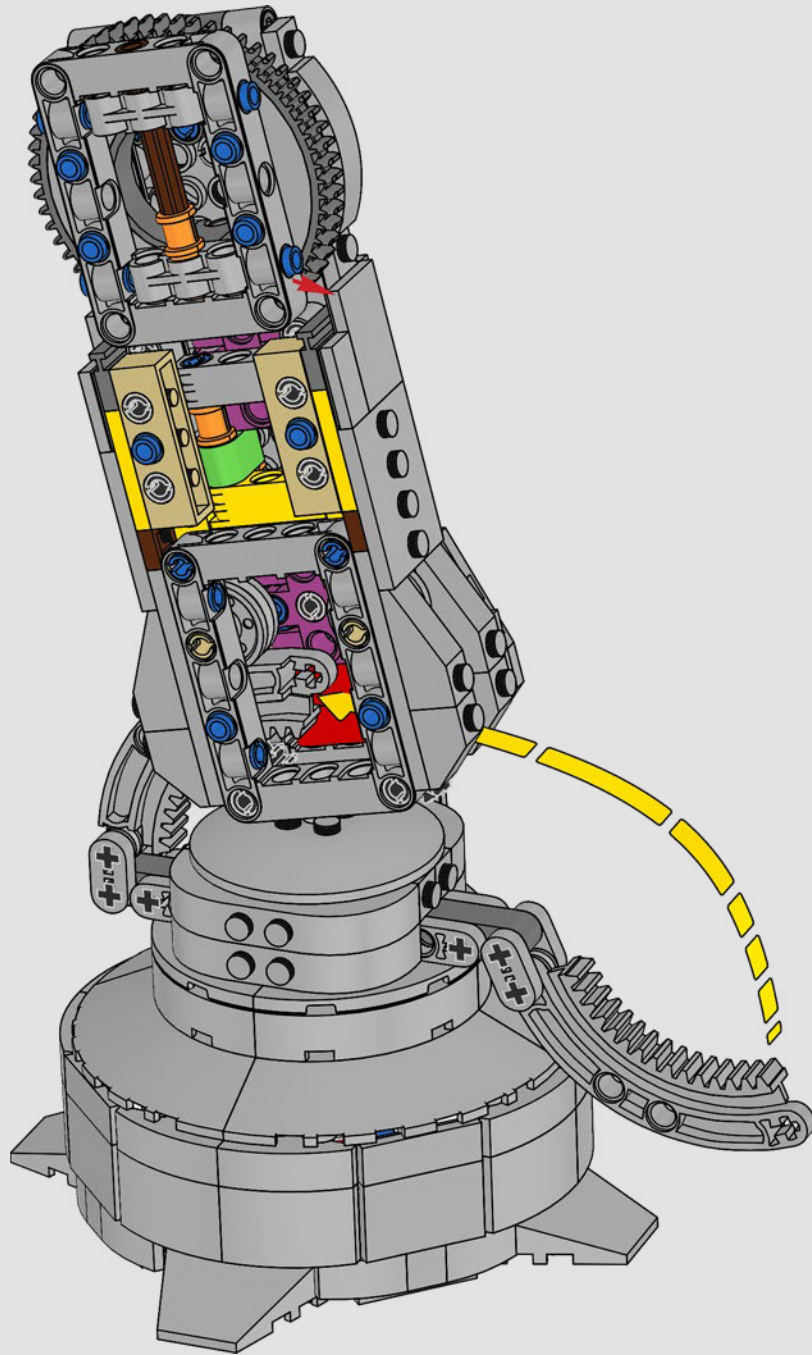
319



320



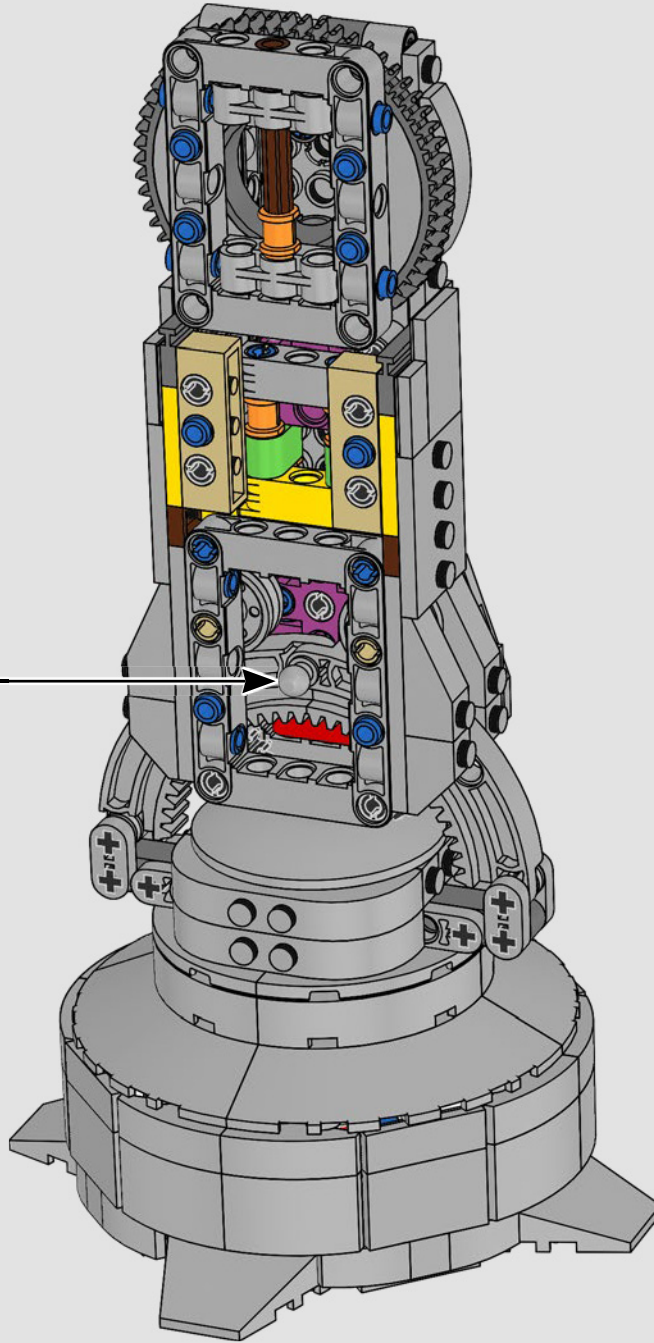
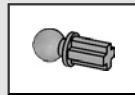
321

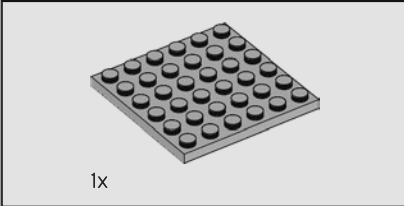
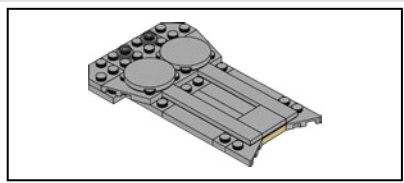




1x

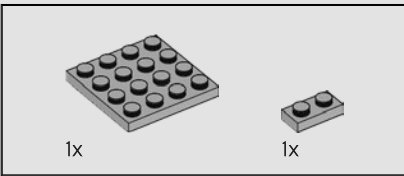
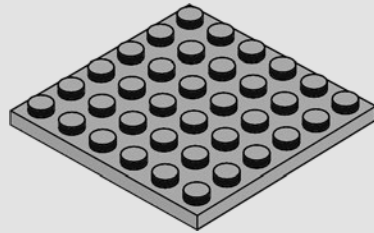
322





1x

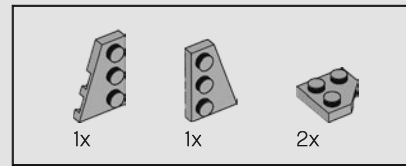
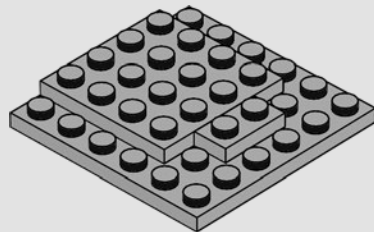
323



1x

1x

324

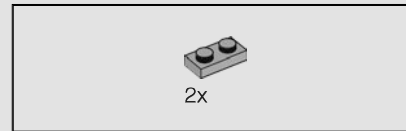
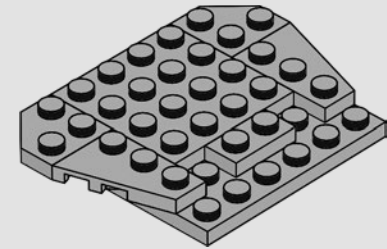


1x

1x

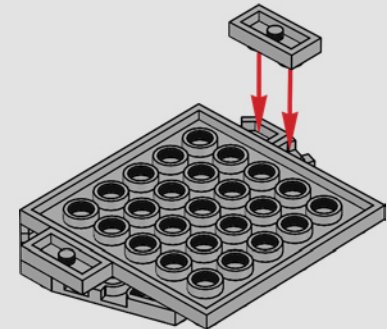
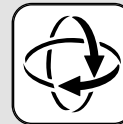
2x

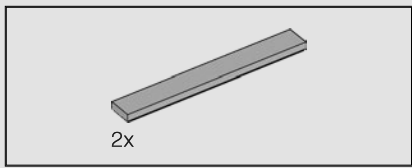
325



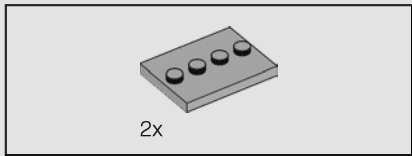
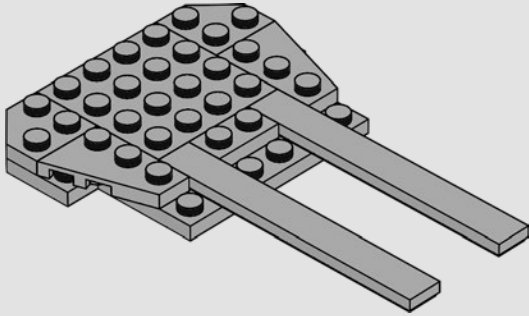
2x

326

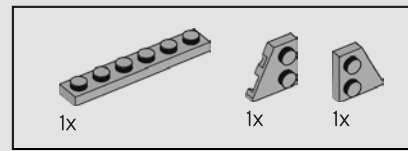
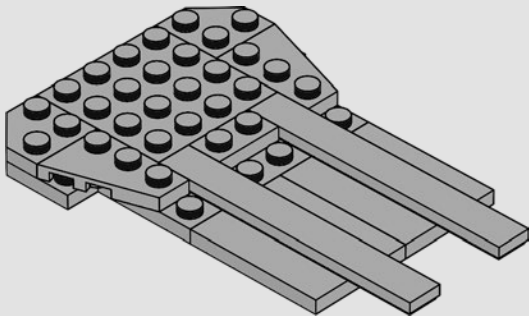




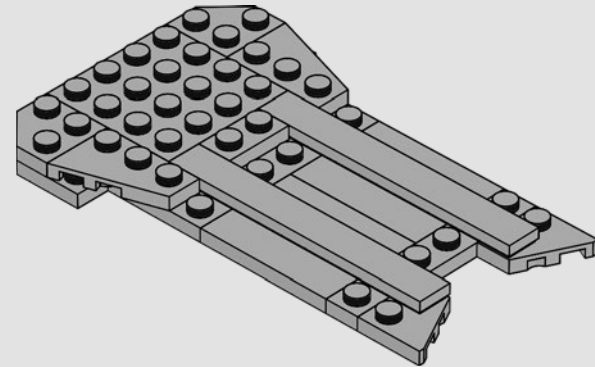
327

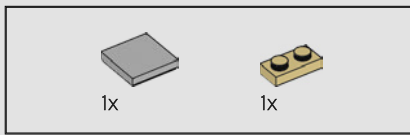


328

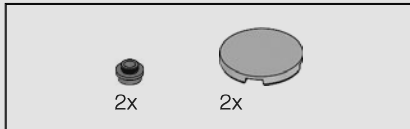
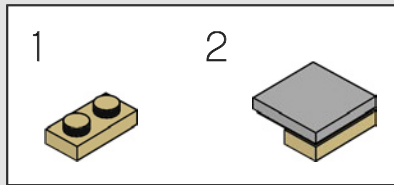
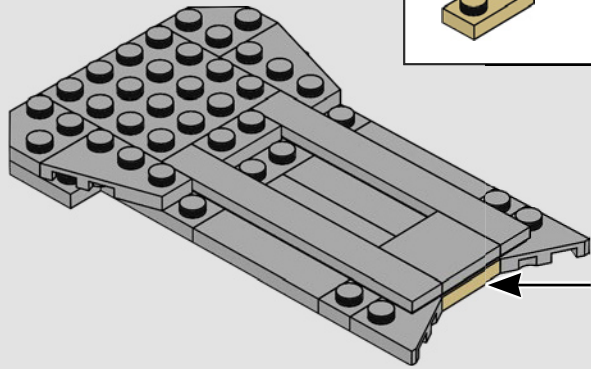


329

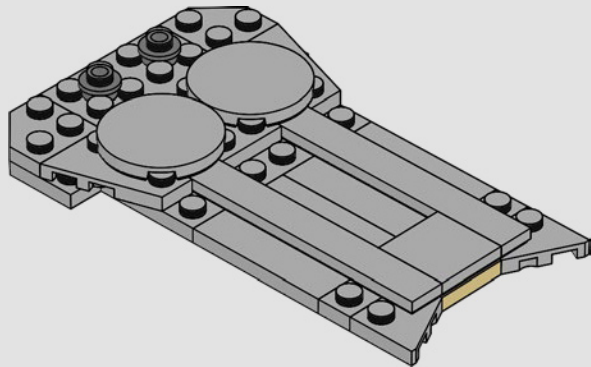




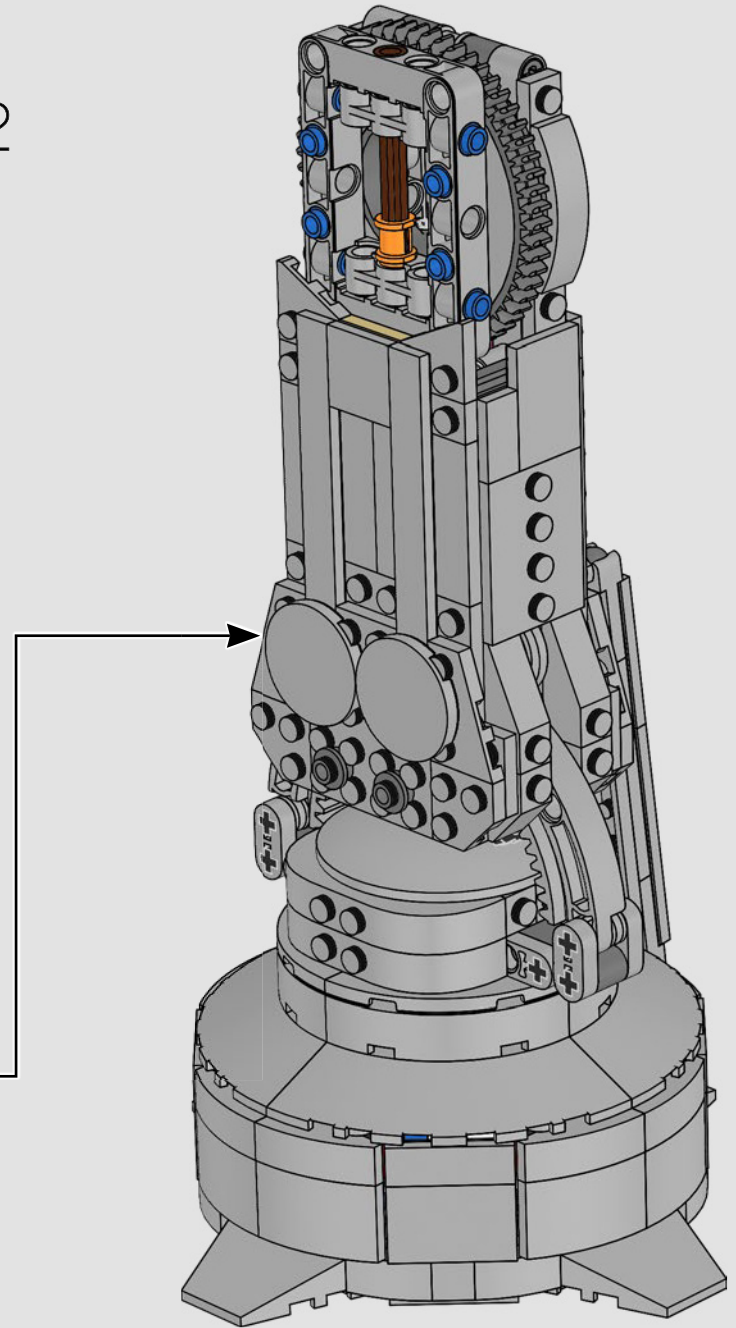
330

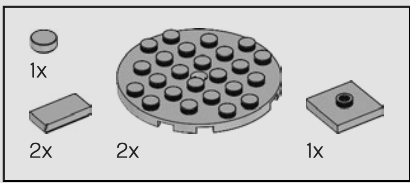


331

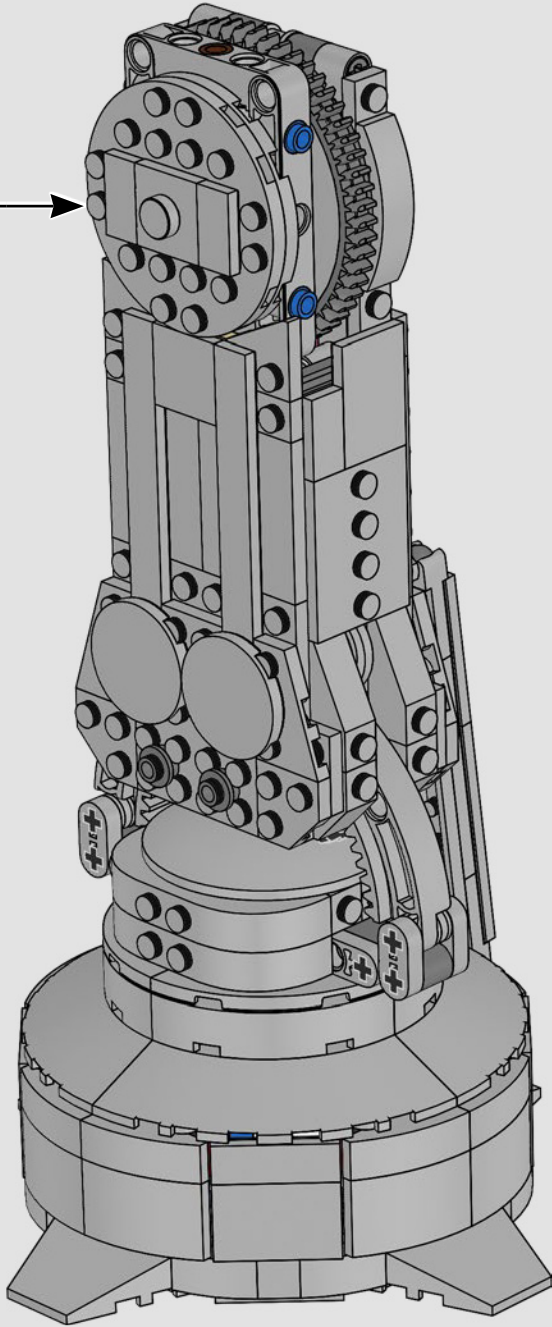
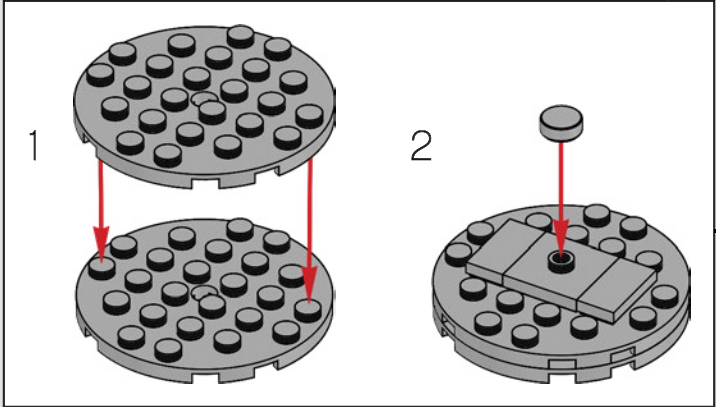


332



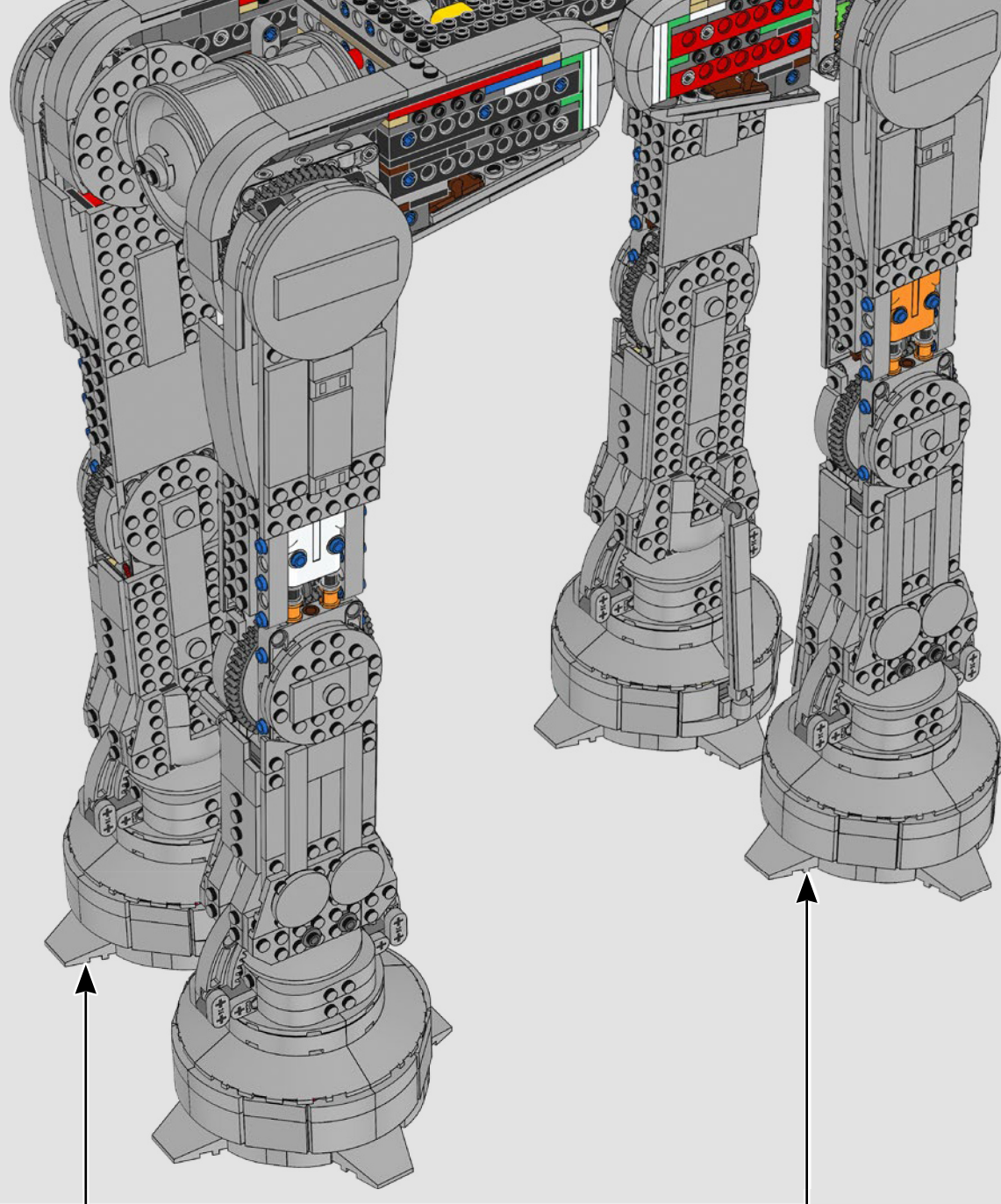


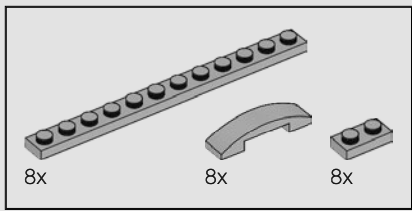
333



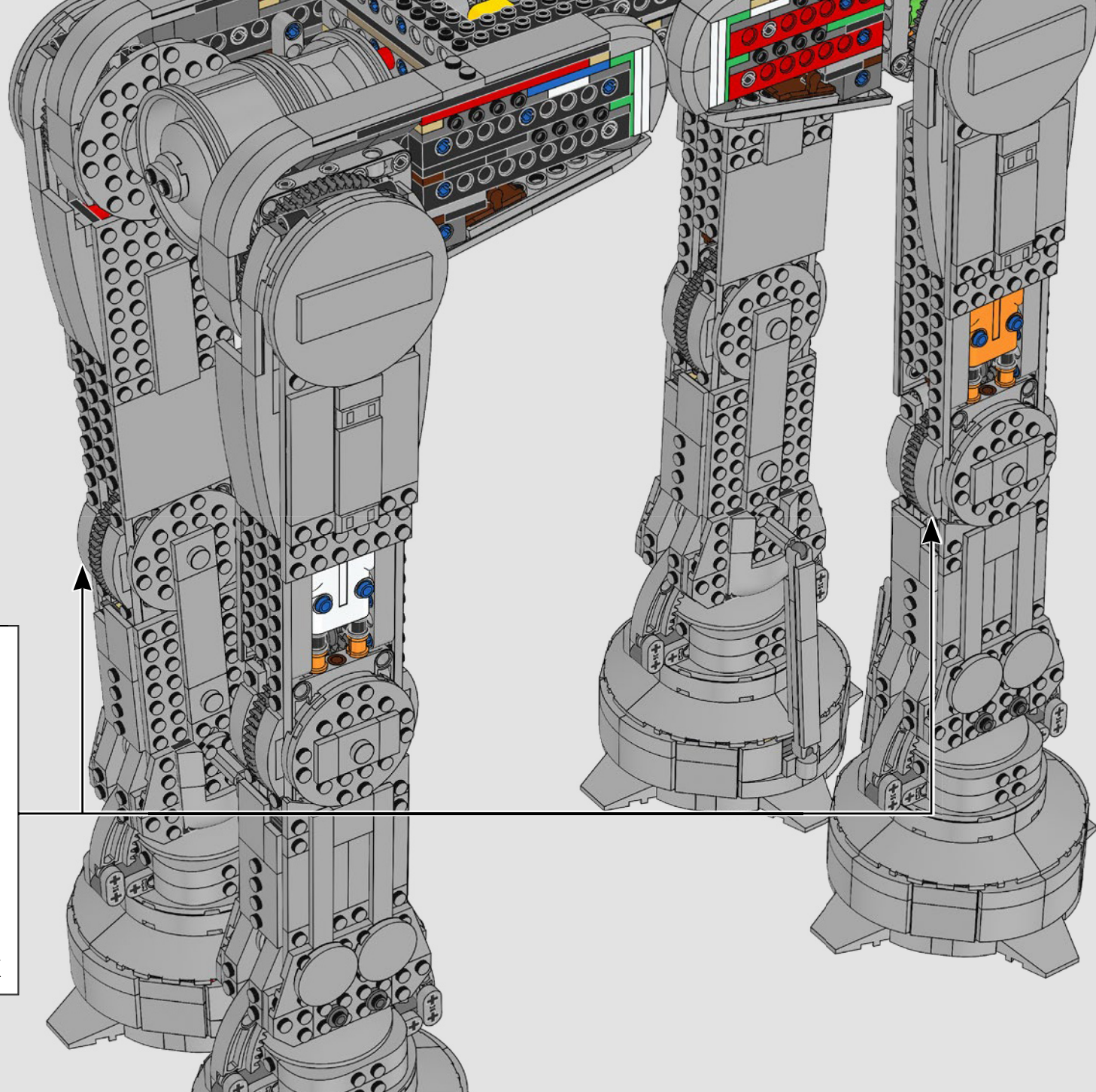
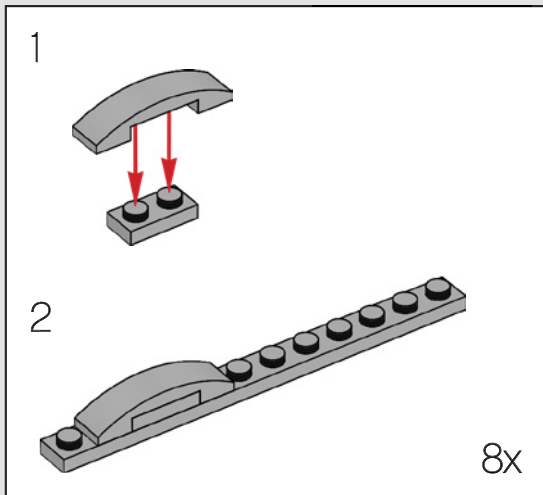
4x

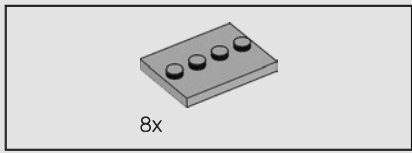
334



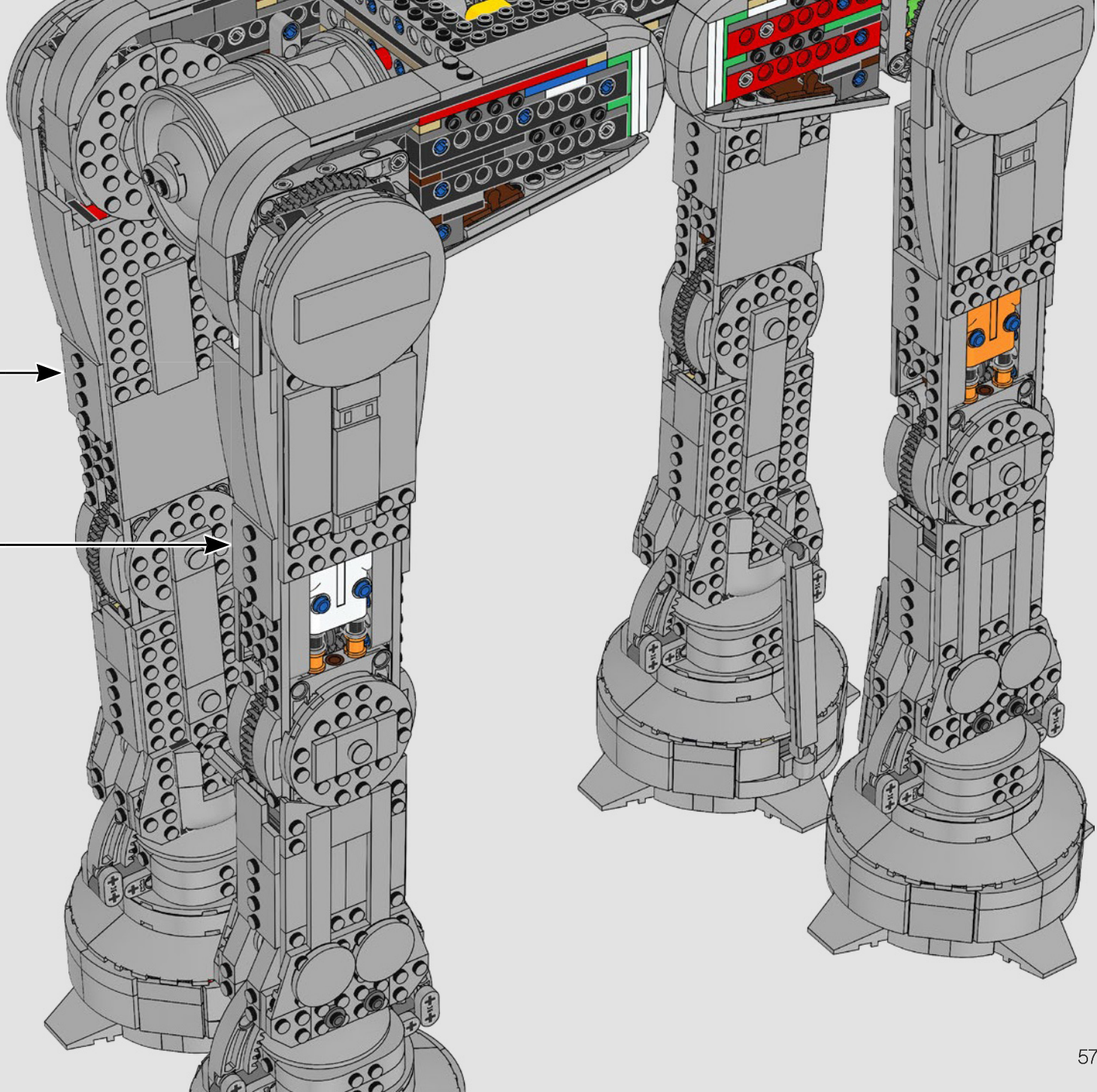
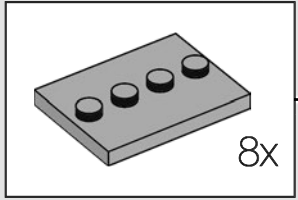


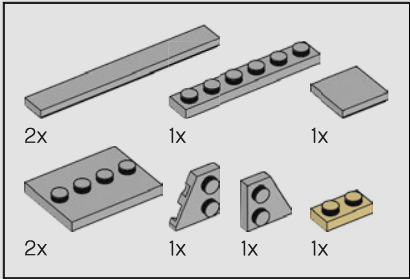
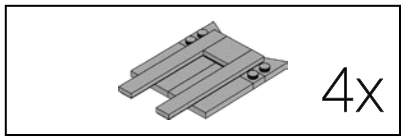
335





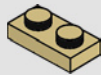
336



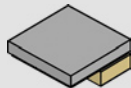


337

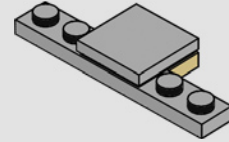
1



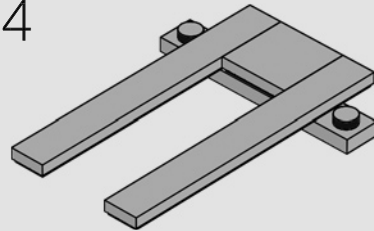
2



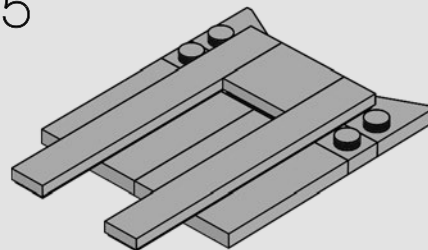
3

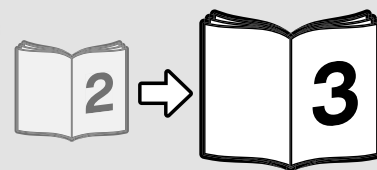
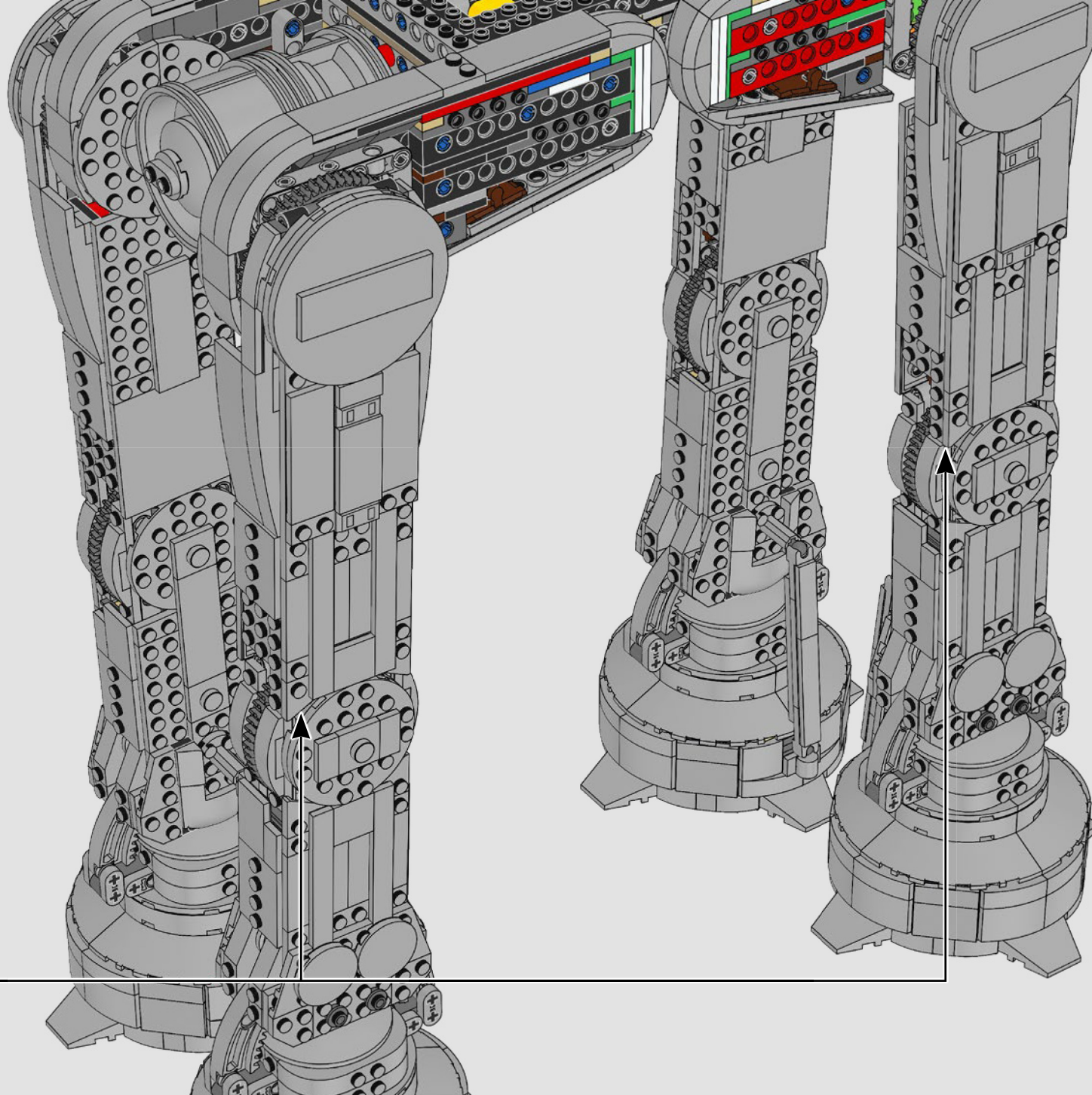


4



5







LEGO and the LEGO logo are trademarks of the
LEGO Group. ©2021 The LEGO Group.
© & ™ Lucasfilm Ltd.
6394568